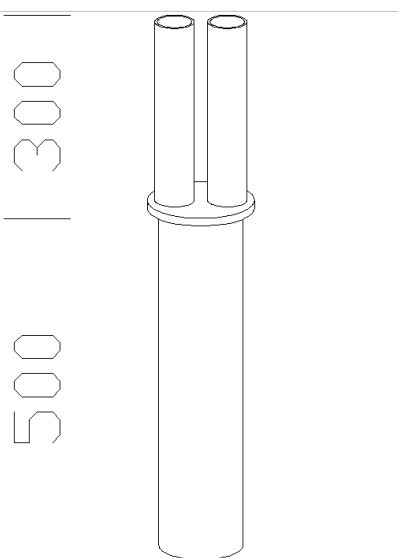
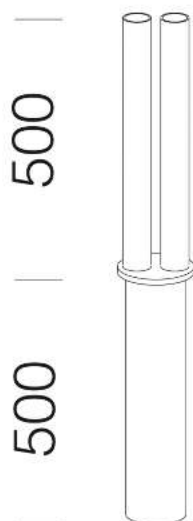


384 pole connector 2x

Steel. To be used in the head-pole solution to create a dual lamp composition.
To be used with two arms access. 386.

Download

- DXF 2D
- 384.dxf
- 3DS
- disano_384.3ds
- 3DM
- disano_384.3dm



Code	Kg	WTot	Colour
326512-00	7.50	0 W	GREY9007

Products



The reported luminous flux is the flux emitted by the light source with a tolerance of ± 10% compared to the indicated value. The W tot column indicates the total wattage absorbed by the system without exceeding 10% of the indicated