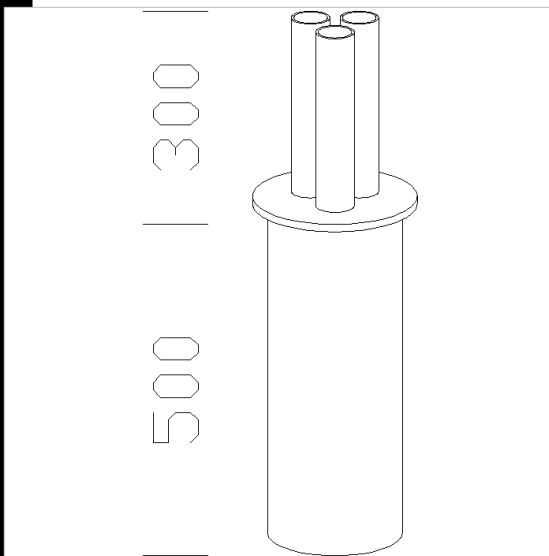
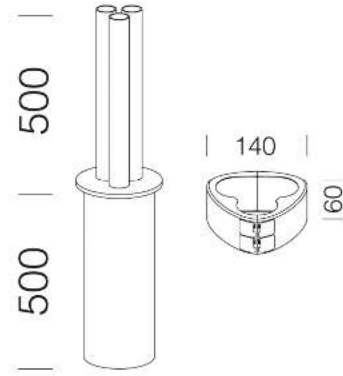




3DM
- disano_383.3dm

383 pole connector 1x

Steel. To be used in the head-pole solution to create a three-lamp composition. To be used with three arms access. 386.



Code	Kg	WTot	Colour
326509-00	12.50	0 W	GREY9007

Products



- 3165 Iride - direct/ indirect light



- 3160 Iride - direct light



- 3164 Iride - direct scattered



- 3188 Sforza Ø600 centre road



- 3183 Sforza Ø500



- 3186 Sforza Ø500 centre road



- 3162 Iride - direct light



- 3167 Iride - LED direct light



- 3224 Sforza LED wide beam



- 3226 Sforza LED centre road



- 3227 Sforza LED



- 3166 Iride dir/ind LED RGB



- 3307 Visconti 8 LED - Amenities



- 3310 Visconti 11 LED

The reported luminous flux is the flux emitted by the light source with a tolerance of $\pm 10\%$ compared to the indicated value. The W tot column indicates the total wattage absorbed by the system without exceeding 10% of the indicated