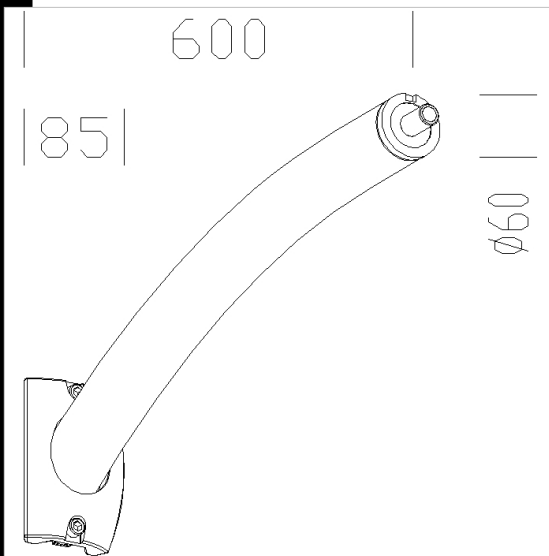
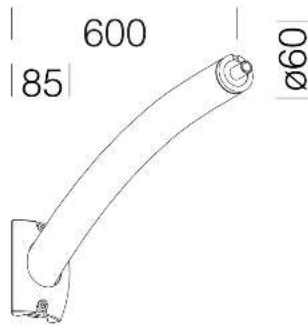




3DM  
- disano\_382.3dm

### 382 bent arm

Aluminium base with steel tube.  
To be used with access. 302 for wall-mounted installation or with access.  
211/300 for pole installation ø 120.



Code	Kg	WTot	Colour
326506-00	3.50	0 W	GREY9007

#### Products



- 3165 Iride - direct/ indirect light



- 3160 Iride - direct light



- 3164 Iride - direct scattered



- 3162 Iride - direct light



- 3167 Iride - LED direct light



- 3166 Iride dir/ind LED RGB

The reported luminous flux is the flux emitted by the light source with a tolerance of ± 10% compared to the indicated value. The W tot column indicates the total wattage absorbed by the system without exceeding 10% of the indicated