

1667 Brera

Housing: in die-cast aluminium.

Cover: in die-cast aluminium with hinged opening in a single piece. Aluminium latches and safety device against accidental opening.

Diffuser: tempered glass, 5 mm thick, resistant to impact and thermal shock (UNI EN 12150-1: 2001 tests).

Coating: graphite grey housing and polyester powder silver coating, resistant to corrosive and saline environments.

Electric gear: 230V/50Hz power supply. Flexible wire terminated with quick connect admiralty brass clamps; silicone double insulation; cross section: 1.0 sq mm. 2P terminal block (maximum allowed lead cross section 2.5 sq mm).

Standard supply: Electric gear on a removable tray with quick connectors for line and lamp holder connection. With anti-condensate filter. Dimmer switch option available.

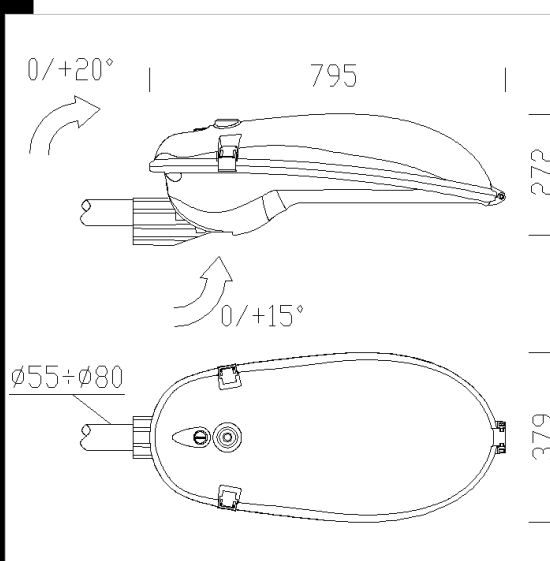
Equipment: when the cover is open, it stays hooked on by a special device against accidental opening for easy maintenance. Rotating socket with goniometric scale to adjust the housing and the standard knife switch.

Reflector: NON-POLLUTING LOUVRE.

In pressed 99.85 aluminium, anodically oxidized and polished. The lamp focus can be regulated.

Regulations: Produced according to applicable EN60598-1CEI 34-21 standards, degree of protection according to EN 60529 standards.

Wind surface: L:850cm² F:1540cm².



Download

DXF 2D
- 1667.dxf

3DS
- disano_1667_brera.3ds

3DM
- disano_1667_brera.3dm

Montaggi
- 1667-1668.pdf
- 1667 brera bipotenza_1.pdf
- 1667 brera bipotenza_2.pdf
- brera montaggio.dxf

Code	Gear	Kg	Lumen-K-CRI	WTot	Base	Colour
324320-00	CNR	9,90	SAP-T 100---	113 W	E40	ARGENTO/GRAFITE
324320-30	CNR	8,90	SAP-T 100---	114 W	E40	ARGENTO/GRAFITE
324326-00	CELL	8,90	CPO-TW 90-10450lm-2800K-Ra 2a	99 W	PGZ12	ARGENTO/GRAFITE
324322-30	CNR	11,70	SAP-T 250---	277 W	E40	GREY/GRAFITE
324322-00	CNR	11,70	SAP-T 250---	277 W	E40	GREY/GRAFITE
324321-00	CNR	9,90	SAP-T 150---	166 W	E40	GREY/GRAFITE
324323-30	CNR	13,70	SAP-T 400---	436 W	E40	GREY/GRAFITE
324321-30	CNR	10,90	SAP-T 150---	168 W	E40	GREY/GRAFITE
324323-00	CNR	12,70	SAP-T 400---	435 W	E40	GREY/GRAFITE
324324-00	CNR-L	9,90	CDO-TT 150-13500lm-2800K-Ra 1b	166 W	E40	GREY/GRAFITE

Pali



- 1508 fluted pole ø120 with base



- 1509 fluted pole ø120



- 1408 fluted ø100 pole with base



- 1409 fluted pole ø100



- 1494 pole with base



- 1492 poles to be sunk into the ground

The reported luminous flux is the flux emitted by the light source with a tolerance of ± 10% compared to the indicated value. The W tot column indicates the total wattage absorbed by the system without exceeding 10% of the indicated