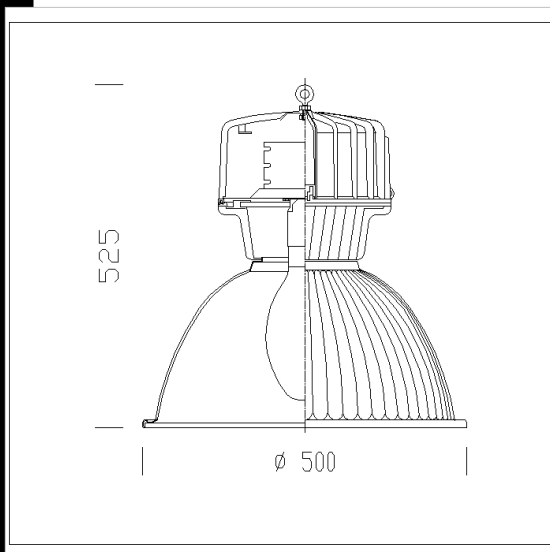


### 1170 Argon - with glass

Housing in die-cast aluminium, with cooling fins.  
 Reflector: in prismatic 99.85 aluminium, wide beam.  
 Diffuser: in tempered glass, thermal shock and impact resistant.  
 Painting: In polyester powder, upon chromate treatment, resistant to corrosive and salty environments.  
 Lampholder: In ceramics, with silver plated contacts. Socket E40.  
 Electric gear: 230V/50Hz power supply. Silicone flexible wire terminated with quick-connect clamps in admiralty brass, with fiberglass braid, 1.0 sqmm cross section. 2P+T terminal block with maximum allowed lead cross section of 4 sqmm.  
 Equipment: Gasket in environment-friendly silicone rubber. Eyebolt with steel threaded stem. Cable gland in fiberglass nylon Ø 1/2 gas thread (cable min. Ø 9, max Ø 12).  
 Mounting: Suspended.  
 Regulations: Produced according to applicable EN60598-1 CEI 34-21 standards, IP65IK08 degree of protection according to EN 60529 standards and approved by the Italian Body for Quality Marking (IMQ). They have obtained the ENEC European Certificate of Conformity. This product can be installed on normally inflammable surfaces.  
 Additional gear: With electronic switching device (CLA) for auxiliary lamp or with emergency kit.  
 Emergency version: In the event of a blackout, FLC18D/E lamp connected to the emergency circuit remains on, thus avoiding the inconvenience usually caused by sudden power failure. Its emergency run time is 60 minutes. When power supply is restored, the battery recharges automatically.



#### Download

- DXF 2D  
- 1170.dxf
- 3DS  
- 1170\_argon.3ds
- 3DM  
- 1170\_argon.3dm
- Montaggi  
- photon-argon.pdf

Code	Gear	Kg	Lumen-K-CRI	WTot	Base	Colour
322643-00	CNR-L	8.58	CDM-E MW 230-21140lm-4200K-CRI 90	0 W	E40	GRAPHITE
322645-07	CNRL-E	8.60	SAP-E 250-31200lm-2000K-Ra 4	0 W	E40	GRAPHITE
322645-0064	CNR-L	9.30	SAP-E 250-31200lm-2000K-Ra 4	277 W	E40	GRAPHITE
322644-79	CNR-L	9.64	CDM-E MW 360-34100lm-4200K-CRI 88	0 W	E40	GRAPHITE
322643-79	CNR-L	8.90	CDM-E MW 230-21140lm-4200K-CRI 90	0 W	E40	GRAPHITE
322644-00008133	CNR-L	0.00		0 W		
322643-0064	CNR-L	7.20	CDM-E MW 230-21140lm-4200K-CRI 90	0 W	E40	GRAPHITE
322644-07	CNRL-E	9.64	CDM-E MW 360-34100lm-4200K-CRI 88	0 W	E40	GRAPHITE
322643-01	CNR-L	8.58	CDM-E MW 230-21140lm-4200K-CRI 90	0 W	E40	GRAPHITE
322646-0064	CNR-L	10.60	SAP-E 400-54000lm-2000K-Ra 4	435 W	E40	GRAPHITE
322643-07	CNRL-E	8.90	CDM-E MW 230-21140lm-4200K-CRI 90	0 W	E40	GRAPHITE
322644-01	CNR-L	9.64	CDM-E MW 360-34100lm-4200K-CRI 88	0 W	E40	GRAPHITE
322644-0064	CNR-L	9.82	CDM-E MW 360-34100lm-4200K-CRI 88	0 W	E40	GRAPHITE
322646-79	CNR-L	9.60	SAP-E 400-54000lm-2000K-Ra 4	0 W	E40	GRAPHITE
322645-00	CNR-L	8.60	SAP-E 250-31200lm-2000K-Ra 4	0 W	E40	GRAPHITE
322646-00	CNR-L	9.60	SAP-E 400-54000lm-2000K-Ra 4	0 W	E40	GRAPHITE
322644-00	CNR-L	9.64	CDM-E MW 360-34100lm-4200K-CRI 88	0 W	E40	GRAPHITE
322645-79	CNR-L	8.60	SAP-E 250-31200lm-2000K-Ra 4	0 W	E40	GRAPHITE
322646-07	CNRL-E	9.60	SAP-E 400-54000lm-2000K-Ra 4	0 W	E40	GRAPHITE
322646-01	CNR-L	10.60	SAP-E 400-54000lm-2000K-Ra 4	0 W	E40	GRAPHITE

#### Accessories



- 1175 Em box



- 372



- 6037 suspension hook



- 1122 guard

The reported luminous flux is the flux emitted by the light source with a tolerance of ± 10% compared to the indicated value. The W tot column indicates the total wattage absorbed by the system without exceeding 10% of the indicated