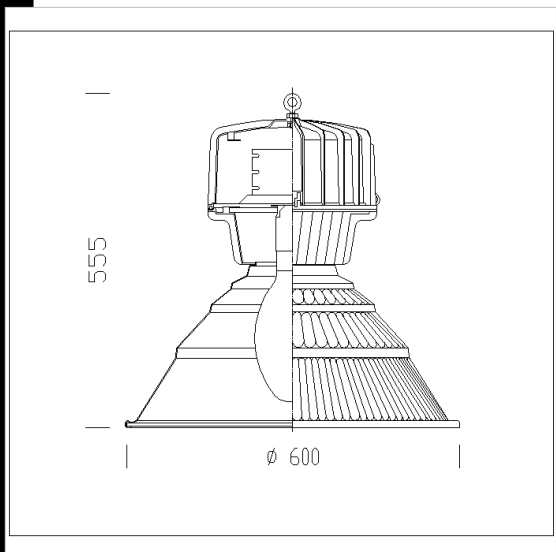


1217 Photon - narrow beam

Housing: In die-cast aluminium with wide cooling fins.
 Reflector: In pressed prismatic 99.85 anodized aluminium, 6/8µ thick, polished, for high light efficiency.
 Diffuser: Tempered protective glass, 5 mm thick, thermal shock and impact resistant, or in clear polycarbonate, prismatic inside for better light control and smooth outside, dustproof and impact resistant, vandal resistant and V2 self-extinguishing, UV-stabilized, anti-yellowing.
 Painting: With polyester powder, upon chromate treatment, resistant to corrosive and salty environments.
 Lampholder: In ceramics, with silver-plated contacts. Socket E40.
 Electric gear: 230V/50Hz power supply. Silicone flexible wire terminated with quick-connect clamps in admiralty brass, with fiberglass braid, 1.0 sqmm cross section. 2P+T terminal block with maximum allowed lead cross section of 4 sqmm.
 Supply: The reflector remains hooked to the fixture by means of suspension chains. Removable gear tray for easy maintenance.
 Equipment: Gasket in environment-friendly silicone rubber. Eyebolt with steel threaded stem.
 Cable gland in f.g. nylon, Ø 1/2 gas thread (cable min Ø 9, max Ø 12).
 Mounting: Suspension or installation on art. 6000 industrial track with acc 6037
 Regulations: Produced according to applicable EN60598-1 CEI 34-21 standards, IP65IK08 degree of protection according to EN 60529 standards and approved by the Italian Body for Quality Marking (IMQ). They have obtained the ENEC European Certificate of Conformity. Moreover, these products can be installed on normally inflammable surfaces.
 Additional gear: With electronic switching device (CLA) for auxiliary lamp or with emergency kit.
 Emergency version: In the event of a blackout, FLC18L lamp connected to the emergency circuit remains on, thus avoiding the inconvenience usually caused by sudden power failure. Its emergency run time is 60 minutes. When power supply is restored, the battery recharges automatically.
 Sandblasted silver coloured housing available upon request.

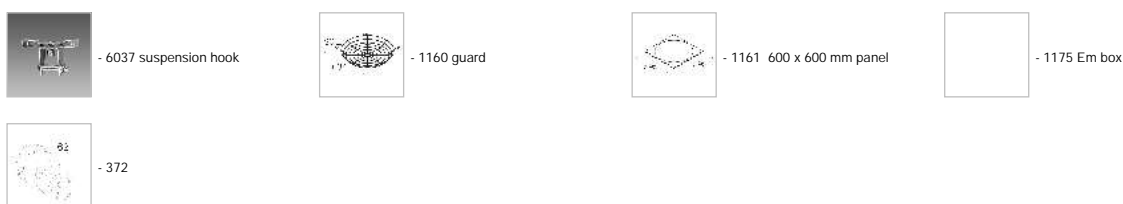


Download

- DXF 2D
- 1217.dxf
- Montaggi
- 1215cla.dxf
- 1215em.dxf
- photon-argon.pdf
- 1215.aperto.dxf

Code	Gear	Kg	Lumen-K-CRI	WTot	Base	Colour
322445-0064	CNR-L	13,40	SAP-E 400-54000lm-2000K-Ra 4	435 W	E40	GRAPHITE
322445-07	CNRL-E	11,00	SAP-E 400-54000lm-2000K-Ra 4	448 W	E40	GRAPHITE
322446-0064	CNR-L	13,40	CDM-E MW 360-34100lm-4200K-CRI 88	387 W	E40	GRAPHITE
322446-07	CNRL-E	11,02	CDM-E MW 360-34100lm-4200K-CRI 88	405 W	E40	GRAPHITE
322446-00	CNR-L	11,02	CDM-E MW 360-34100lm-4200K-CRI 88	387 W	E40	GRAPHITE
322445-79	CNR-L	11,00	SAP-E 400-54000lm-2000K-Ra 4	433 W	E40	GRAPHITE
322443-0064	CNR-L	9,40	SAP-E 250-31200lm-2000K-Ra 4	277 W	E40	GRAPHITE
322445-00	CNR-L	11,00	SAP-E 400-54000lm-2000K-Ra 4	433 W	E40	GRAPHITE
322446-79	CNR-L	11,02	CDM-E MW 360-34100lm-4200K-CRI 88	387 W	E40	GRAPHITE
322442-00	CNR-L	11,00	CDM-E MW 230-21140lm-4200K-CRI 90	250 W	E40	BLACK
322442-79	CNR-L	9,40	CDM-E MW 230-21140lm-4200K-CRI 90	250 W	E40	GRAPHITE
322443-00	CNR-L	9,40	SAP-E 250-31200lm-2000K-Ra 4	277 W	E40	GRAPHITE
322442-07	CNRL-E	11,00	CDM-E MW 230-21140lm-4200K-CRI 90	268 W	E40	GRAPHITE
322443-07	CNRL-E	9,40	SAP-E 250-31200lm-2000K-Ra 4	293 W	E40	GRAPHITE
322442-0064	CNR-L	9,40	CDM-E MW 230-21140lm-4200K-CRI 90	270 W	E40	GRAPHITE
322443-79	CNR-L	9,40	SAP-E 250-31200lm-2000K-Ra 4	277 W	E40	GRAPHITE

Accessori



The reported luminous flux is the flux emitted by the light source with a tolerance of ± 10% compared to the indicated value. The W tot column indicates the total wattage absorbed by the system without exceeding 10% of the indicated