

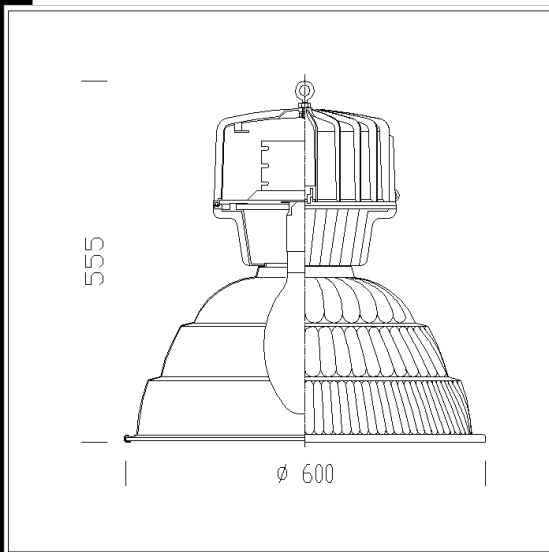


1215 Photon - EPL Dc Protection Level

Housing: Very low magnesium content die-cast aluminium alloy;
 Reflector: 99.85 pressed aluminium, anodized (6/8µ thick) and polished for high luminous efficiency;
 Diffuser: 5mm thick tempered glass, resistant to impact and thermal shock;
 Coating: polyester powder resistant to corrosive and saline environments.
 Gaskets: All the gaskets are retained and made of silicone rubber resistant to low and high temperatures;
 Cable gland: Impact resistant, for environments at risk of explosion with working temperatures ranging between -20°C and +70°C
 Ballast: All reactors (including MBF lamps) are equipped with heat protection;
 Internal electric gear: flexible silicone cable with fibreglass braid, cross section 1sqmm, with admiralty brass connection clamps;
 Power supply terminal: Two poles + grounding with 2.5sqmm maximum lead cross section;
 Equipment level protection (EPL Dc) Lighting fixture for potentially explosive atmospheres due to the presence of dust, with an "increased" protection level, that does not constitute a source of ignition during normal operation and that can have extra protections to make sure it does not cause ignition in the case of regular and expected failures. Lighting fixtures with this protection level are suitable for use in areas classified as Zone 22.

Download

- DXF 2D
- 1215.dxf
- 3DS
- 1215_photon_diffondente.3ds
- 3DM
- 1215_photon_diffondente.3dm
- Montaggi
- 1215_aperto.dxf



Code	Gear	Kg	Lumen-K-CRI	WTot	Base	Colour
322225-00	CNR-L	10.28	SAP-E 400-54000lm-2000K-Ra 4	433 W	E40	GRAPHITE
322222-00	CNR-L	10.28	CDM-E MW 230-21140lm-4200K-CRI 90	251 W	E40	GRAPHITE
322226-00	CNR-L	11.20	CDM-E MW 360-34100lm-4200K-CRI 88	389 W	E40	GRAPHITE
322223-00	CNR-L	10.28	SAP-E 250-31200lm-2000K-Ra 4	277 W	E40	GRAPHITE

The reported luminous flux is the flux emitted by the light source with a tolerance of ± 10% compared to the indicated value. The W tot column indicates the total wattage absorbed by the system without exceeding 10% of the indicated