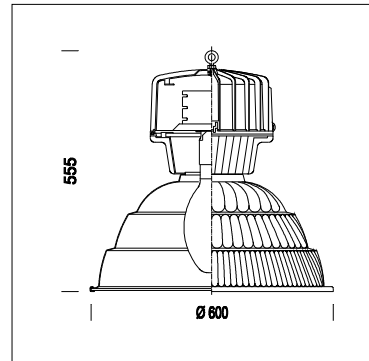


1215 Photon - ELP Dc Protection Level



Code	Gear	Kg	Colour	Dimensions	lamp
322221-00	CNRL-F	8.75	black	0x0x555 Ø600	MBF 250-E40-13000lm-4000K-Ra 3
322224-00	CNRL-F	9.55	black	0x0x555 Ø600	MBF 400-E40-22500lm-4000K-Ra 3
322222-00	CNRL-F	9.80	black	0x0x555 Ø600	JM-E 250-E40-18000lm-4500k-Ra 2b
322226-00	CNRL-F	11.60	black	0x0x555 Ø600	JM-E 400-E40-32500lm-4500k-Ra 2b
322223-00	CNRL-F	9.80	black	0x0x444 Ø600	SAP-E 250-E40-25000lm-2000K-Ra 4
322225-00	CNRL-F	11.60	black	0x0x555 Ø600	SAP-E 400-E40-47000lm-2000K-Ra 4

Housing: Very low magnesium content die-cast aluminium alloy;

Reflector: 99.85 pressed aluminium, anodized (6/8µ thick) and polished for high luminous efficiency;

Diffuser: 5mm thick tempered glass, resistant to impact and thermal shock;

Coating: Black polyester powder.resistant to corrosive and saline environments.

Gaskets: All the gaskets are retained and made of silicone rubber resistant to low and high temperatures;

Cable gland: Impact resistant, for environments at risk of explosion with working temperatures ranging between -20°C and +70°C

Ballast: All reactors (including MBF lamps) are equipped with heat protection;

Internal electric gear: flexible silicone cable with fibreglass braid, cross section 1sqmm, with admiralty brass connection clamps;

Power supply terminal: Two poles + grounding with 2.5sqmm maximum lead cross section;