



Download

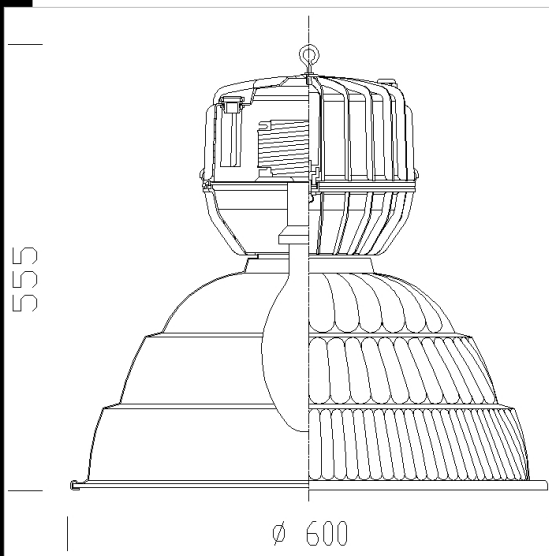
DXF 2D
- 1215n.dxf

Montaggi
- photon-argon.pdf

1219 Photon - wide beam CDM MW



Housing: In die-cast aluminium with wide cooling fins.
 Reflector: In pressed prismatic 99.85 anodized aluminium, 6/8µ thick, polished, for high light efficiency.
 Diffuser: Tempered protective glass, 5 mm thick, thermal shock and impact resistant,
 Painting: With polyester powder, black colour, upon chromate treatment, resistant to corrosive and salty environments.
 Supply: The reflector remains hooked to the fixture by means of suspension chains. Removable gear tray for easy maintenance.
 Equipment: Gasket in environment-friendly silicone rubber. Eyebolt with steel threaded stem.
 Cable gland in f.g. nylon, Ø 1/2 gas thread (cable min Ø 9, max Ø 12).
 Mounting: Suspension or installation on art. 6000 industrial track with acc 6037
 Regulations: Produced according to applicable EN60598-1 CEI 34-21 standards, IP65IK08 degree of protection according to EN 60529 standards and approved by the Italian Body for Quality Marking (IMQ). They have obtained the ENEC European Certificate of Conformity. Moreover, these products can be installed on normally inflammable surfaces.



Code	Gear	Kg	Watt	Base	Lamps	Colour
322210-00	CELL	8,58	CDM-MW 210	PGZ18	24100lm-3000k-Ra 1a	GRAPHITE
322211-00	CELL	9,68	CDM-MW 210	PGZ18	23100lm-4200K-Ra 1a	GRAPHITE

Accessories



- 1161 600 x 600 mm panel



- 372



- 1160 guard