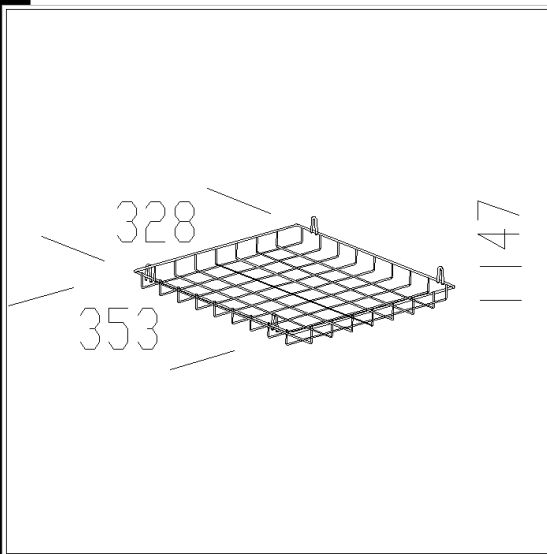
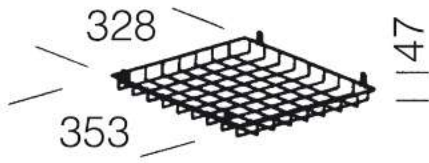




1187 protective grid

In plastic coated steel wire with rilsan.
For protection against impact.



Code	Kg	WTot	Colour
321511-00	0.19	0 W	WHITE

Products



- 1103 Nikos



- 1104 Nikos - asymmetric

The reported luminous flux is the flux emitted by the light source with a tolerance of $\pm 10\%$ compared to the indicated value. The W tot column indicates the total wattage absorbed by the system without exceeding 10% of the indicated