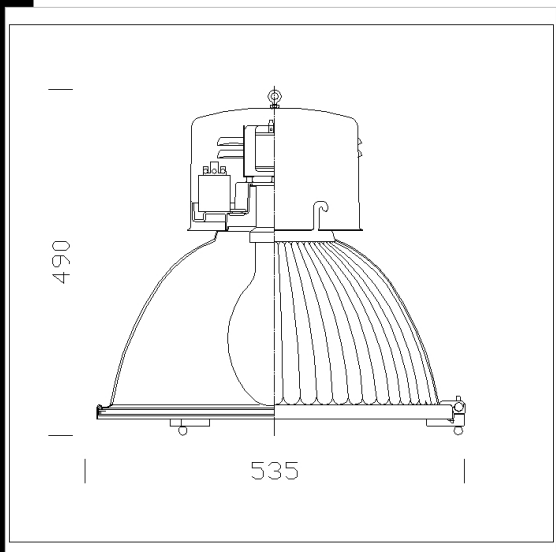


### 1101 Lucente - with glass

Housing: pressed steel.  
 Reflector: prismatic, pressed, 99.85 anodised aluminium, thickness 6/8 m, polished for higher luminous efficiency.  
 Diffuser: in tempered glass, thermal shock and impact resistant.  
 Painting: In polyester powder, upon chromate treatment, resistant to corrosive and salty environments. Lampholder: Ceramic, with silver-plated contacts.  
 Electric gear: 230V/50Hz supply with thermal protection. Silicone wire terminated with quick-connection admiralty brass clamps; silicone insulation with fibreglass braid; cross-section: 1.5 sqmm. 2P+T terminal block (maximum allowed lead cross-section: 4 sqmm)  
 Regulations: Produced according to applicable EN60598-1 CEI 34-21 standards, IP20IK08/547 degree of protection according to EN 60529 standards. Moreover, these products can be installed on normally inflammable surfaces. Double insulation class.



- Download**
- DXF 2D  
- 1101.dxf
  - 3DS  
- 1101\_lucente.3ds
  - 3DM  
- 1101\_lucente.3dm
  - Montaggi  
- luc\_quasar\_tn03.pdf

Code	Gear	Kg	Lumen-K-CRI	WTot	Base	Colour
321163-00	CNR-L	7.90	CDM-E MW 230-21140lm-4200K-CRI 90	250 W	E40	GRAPHITE
321165-00	CNR-L	8.84	CDM-E MW 360-34100lm-4200K-CRI 88	387 W	E40	GRAPHITE
321164-00	CNR-L	7.90	SAP-E 250-31200lm-2000K-Ra 4	277 W	E40	GRAPHITE
321166-00	CNR-L	8.84	SAP-E 400-54000lm-2000K-Ra 4	436 W	E40	GRAPHITE

**Accessories**



The reported luminous flux is the flux emitted by the light source with a tolerance of ± 10% compared to the indicated value. The W tot column indicates the total wattage absorbed by the system without exceeding 10% of the indicated