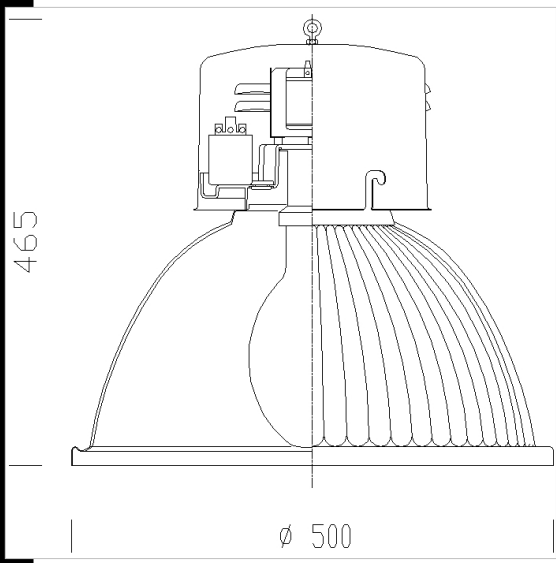


**Download**  
DXF 2D  
- 1100.dxf  
Montaggi  
- luc\_quasar\_tn03.pdf



**1100 Lucente**

Housing: pressed steel.  
Reflector: prismatic, pressed, 99.85 anodised aluminium, thickness 6/8 m, polished for higher luminous efficiency.  
Painting: In polyester powder, upon chromate treatment, resistant to corrosive and salty environments.  
Lampholder: Ceramic, with silver-plated contacts.  
Electric gear: 230V/50Hz supply with thermal protection. Silicone wire terminated with quick-connection admiralty brass clamps; silicone insulation with fibreglass braid; cross-section: 1.5 sqmm. 2P+T terminal block (maximum allowed lead cross-section: 4 sqmm)  
Regulations: Produced according to applicable EN60598-1 CEI 34-21 standards, IP20IK08 degree of protection according to EN 60529 standards. Moreover, these products can be installed on normally inflammable surfaces. Double insulation class.  
Note: For optimal operation of industrial luminaires supplied without lamp (CNR) we recommend the use of the suitable lamps  
1100 Lucente JM-E400 3.25A; 0.6-1.0 KV  
1100 Lucente JM-E/SAP-E250 3A; 3.5-4.5KV



Code	Gear	Kg	Watt	Base	Lamps	Colour
321055-00	CNR	5,51	JM-E/SAP-E 250	E40	na-na-na	GRAPHITE
321055-07	CNR-E	5,51	JM-E/SAP-E 250	E40	na-na-na	BLACK
321057-00	CNR	9,00	JM-E 400	E40	na-na-na	GRAPHITE
321059-00	CELL	3,40	FLC 1x70T/E	GX24q-6	5200lm-4000k-Ra 1b	SANDBLASTED SILVER
321056-01	CNR	6,00	SAP-E 400	E40	--	GRAPHITE
321056-00	CNR	9,00	SAP-E 400	E40	--	GRAPHITE
321057-07	CNR-E	9,00	JM-E 400	E40	na-na-na	BLACK
321056-07	CNR-E	9,00	SAP-E 400	E40	--	BLACK
321050-00		2,30	MAX 125	E27	--	GRAPHITE
321051-00		2,40	MAX 400	E40	--	GRAPHITE

**Accessori**

