

IK08

Download

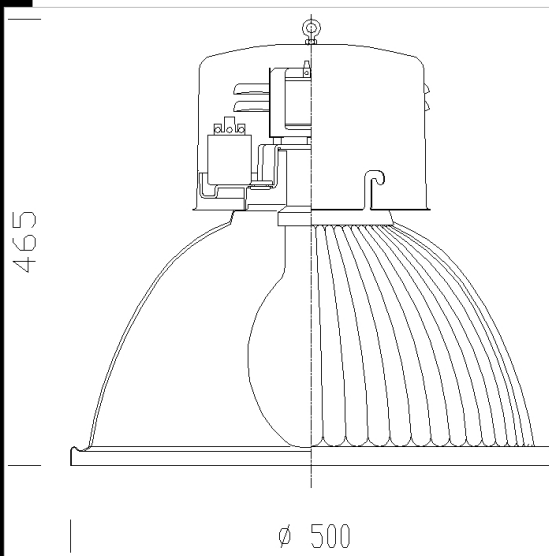
DXF 2D
- 1100.dxf

Montaggi
- luc_quasar_tn03.pdf



1100 Lucente

Housing: pressed steel.
 Reflector: prismatic, pressed, 99.85 anodised aluminium, thickness 6/8 m, polished for higher luminous efficiency.
 Painting: In polyester powder, upon chromate treatment, resistant to corrosive and salty environments.
 Lampholder: Ceramic, with silver-plated contacts.
 Electric gear: 230V/50Hz supply with thermal protection. Silicone wire terminated with quick-connection admiralty brass clamps; silicone insulation with fibreglass braid; cross-section: 1.5 sqmm. 2P+T terminal block (maximum allowed lead cross-section: 4 sqmm)
 Regulations: Produced according to applicable EN60598-1 CEI 34-21 standards, IP20IK08 degree of protection according to EN 60529 standards. Moreover, these products can be installed on normally inflammable surfaces. Double insulation class.
 Note: For optimal operation of industrial luminaires supplied without lamp (CNR) we recommend the use of the suitable lamps
 1100 Lucente JM-E400 3.25A; 0.6-1.0 KV
 1100 Lucente JM-E/SAP-E250 3A; 3.5-4.5KV



Code	Gear	Kg	Lumen-K-CRI	WTot	Base	Colour
321050-00		2.30	MAX 125---	0 W	E27	GRAFITE
321051-00		2.40	MAX 400---	0 W	E40	GRAFITE
321055-00	CNR	5.51	CDM-E MW 230 / SAP-E 250---	277 W	E40	GRAFITE
321056-00	CNR	9.00	SAP-E 400---	436 W	E40	GRAFITE
321057-00	CNR	9.00	CDM-E MW 360---	396 W	E40	GRAFITE

Accessories



- 1122 guard

The reported luminous flux is the flux emitted by the light source with a tolerance of ± 10% compared to the indicated value. The W tot column indicates the total wattage absorbed by the system without exceeding 10% of the indicated