

**Download**

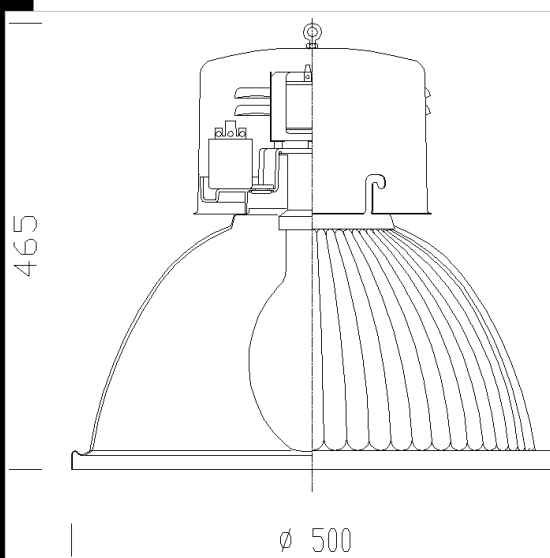
DXF 2D  
- 1100.dxf

Montaggi  
- luc\_quasar\_tn03.pdf

**1100 Lucente**



Housing: pressed steel.  
Reflector: prismatic, pressed, 99.85 anodised aluminium, thickness 6/8 m, polished for higher luminous efficiency.  
Painting: In polyester powder, upon chromate treatment, resistant to corrosive and salty environments.  
Lampholder: Ceramic, with silver-plated contacts.  
Electric gear: 230V/50Hz supply with thermal protection. Silicone wire terminated with quick-connection admiralty brass clamps; silicone insulation with fibreglass braid; cross-section: 1.5 sqmm. 2P+T terminal block (maximum allowed lead cross-section: 4 sqmm)  
Regulations: Produced according to applicable EN60598-1 CEI 34-21 standards, IP20IK08 degree of protection according to EN 60529 standards. Moreover, these products can be installed on normally inflammable surfaces. Double insulation class.



Code	Kg	Lumen-K-CRI	WTot	Base	Colour
321050-00	2,30	MAX 125---	0 W	E27	GRAPHITE
321051-00	2,40	MAX 400---	0 W	E40	GRAPHITE

**Accessori**



- 1122 guard

The reported luminous flux is the flux emitted by the light source with a tolerance of ± 10% compared to the indicated value. The W tot column indicates the total wattage absorbed by the system without exceeding 10% of the indicated