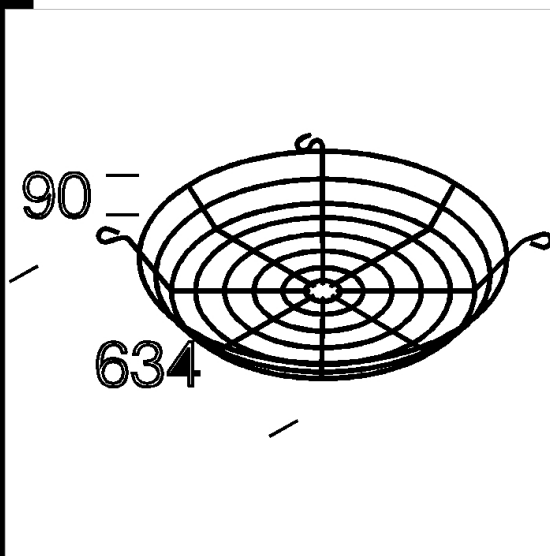
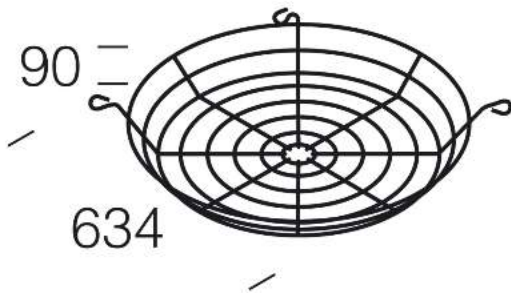




1160 guard

Protective guard in zinc-plated steel wire.
Screw mounting.
For art. Quark-Quasar-Photon.



Code	Kg	WTot	Colour
321010-00	0.48	0 W	BLACK

Products



- 1217 Photon - narrow beam



- 1109 Quasar



- 1216 Photon - wide beam



- 1110 Quasar - with glass



- 1218 Photon - narrow beam



- 1215 Photon - wide beam



- 1116 Quark - wide beam



- 1117 Quark - narrow beam



- 1219 Photon - wide beam
CDM MW



- 1115 Quark - wide beam

The reported luminous flux is the flux emitted by the light source with a tolerance of $\pm 10\%$ compared to the indicated value. The W tot column indicates the total wattage absorbed by the system without exceeding 10% of the indicated