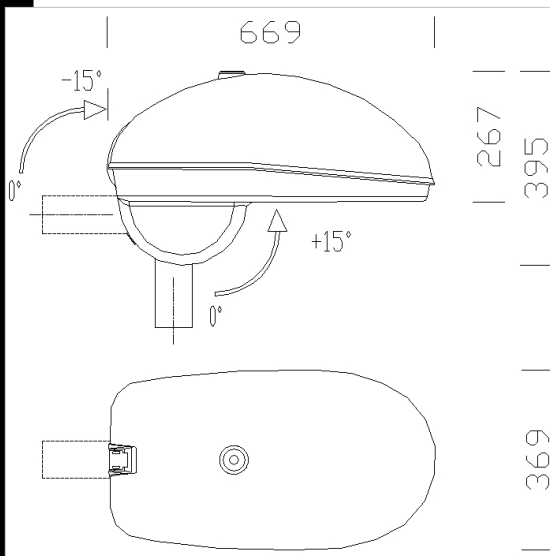


1652 Giovi

Housing: In die-cast aluminium. Provision for daylight sensor.
 Reflector: In pressed, anodised 99.85 aluminium, 6/8 μ thick and polished with flow recovery.
 Cover: in aluminium with hinged opening and foldable bracket. Stainless steel latches and vibration proof catch.
 Diffusor: in hardened 5 mm thick thermal shock and impact resistant glass (UNI7142, British standard 3193 tests).
 Coating: With polyester powder, grey or sand blasted silver, upon chromate treatment, resistant to corrosive and saline environments.
 Lampholder: In ceramics with silver-plated contacts. Mounted on a holder that can be removed without tools.
 Electric gear: 230V/50Hz power supply with removable plate and quick connectors to connect power line and lampholders. Wire with silicone isolation and fibreglass braid, 1.0 sqmm cross-section. 2P terminal block with maximum allowed lead cross section of 2.5 sqmm.
 Equipment: \varnothing 60/76 mast-top or mast-arm mounting complete with standard knife switch. Cover is fitted with a safety device.
 Regulations: Manufactured in accordance with standards EN60598. Degree of protection IP667 (lamp case) and IP43IK08(accessory compartment) in accordance with standards EN60529. The products have obtained the European conformity certification ENEC. Insulation class II. Degree of protection IP667, verified after an accelerated ageing process (one month) and after subjecting gaskets to mechanical stress (100 openings and closings).
 Wind surface: 1666 sqcm.
 Non-polluting louvre, ideal for installation in zone 1 (UNI10819), with suitable inclination.



Download

- DXF 2D
- 1652.dxf
- 3DS
- 1652_giovi.3ds
- 3DM
- 1652_giovi.3dm
- Montaggi
- 1652_giovi_bip.pdf
- 1652_4_giovi.pdf

Code	Gear	Kg	Lumen-K-CRI	WTot	Base	Colour
314067-30	CNR	13.90	SAP-T 400-48000lm-2000K-Ra 4	436 W	E40	GREY/GRAFITE
314068-00	CNR-L	10.75	JM-E 100-9000lm-3200K-Ra 2a	114 W	E27	GREY/GRAFITE
314065-30	CNR	11.25	SAP-T 150-17200lm-2000K-Ra 4	169 W	E40	GREY/GRAFITE
314066-00	CNR	11.99	SAP-T 250-33000lm-2000 K-Ra 4	277 W	E40	GREY/GRAFITE
314066-30	CNR	12.30	SAP-T 250-33000lm-2000 K-Ra 4	277 W	E40	GREY/GRAFITE
314065-00	CNR	11.25	SAP-T 150-17200lm-2000K-Ra 4	166 W	E40	GREY/GRAFITE
314064-00	CNR	10.37	SAP-T 100-9000lm-2000K-Ra 4	114 W	E40	GREY/GRAFITE
314064-30	CNR	10.37	SAP-T 100-9000lm-2000K-Ra 4	114 W	E40	GREY/GRAFITE
314069-00	CNR-L	10.75	JM-E 150-14000lm-4000K-Ra 1b	166 W	E27	GREY/GRAFITE
314067-00	CNR	13.90	SAP-T 400-48000lm-2000K-Ra 4	433 W	E40	GREY/GRAFITE
314063-30	CNR	12.39	SAP-T 70-6000lm-2000K-Ra 4	83 W	E27	GREY/GRAFITE
314063-00	CNR	9.95	SAP-T 70-6000lm-2000K-Ra 4	83 W	E27	GREY/GRAFITE

Accessories



- 48 wall bracket



- 49 corner bracket



- 72 wall mount



- 74 double pole mount



- 140 double pole mount for Giovi

The reported luminous flux is the flux emitted by the light source with a tolerance of $\pm 10\%$ compared to the indicated value. The W tot column indicates the total wattage absorbed by the system without exceeding 10% of the indicated