



Download

DXF 2D
- 1664.dxf

Montaggi
- ghisallo_.pdf



1664 Ghisallo

Housing: Die cast aluminium in a single piece. With stainless steel sealing hinges complete with safety device.

Reflector: ANTI-LIGHT POLLUTION OPTICS. In 99.85 moulded aluminium (99.90 for bicycle paths), anodically oxidised and polished, with flux recovery.

Diffuser: 5 mm thick hardened glass, withstands thermal shocks and impacts (tested according to UNI EN 12150-1: 2001). Transparent, shatterproof and self-extinguishing polycarbonate bowl V2; stabilised against UV rays.

Painting: using sandblasted silver colour polyester powder paint, withstands corrosion and salt mists (passes the 1000 h. test in accordance with UNI ISO 9227).

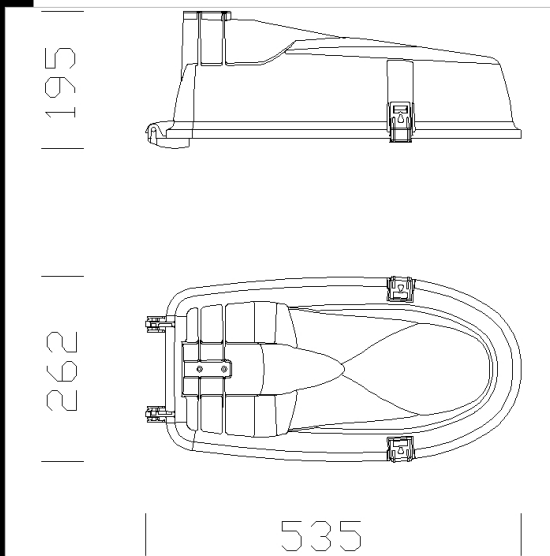
Wiring: 230V/50Hz power supply. Flexible cable, terminated with quick connector tin-plated brass tips, with silicon coated double insulation, 1.0 mm² cross-section.

2P terminal strip with maximum permitted cross-section of conductors: 2.5 mm².

Complete with: Wiring on removable plate with quick connectors for connection to the line and the lampholder. With anti-condensate filter.

Equipment: Glass or bowl with hinged opening without requiring tools, remain attached to the lighting fixture housing with a stop device when fully open. ø60 fixed whip connection.

Standards: Products comply with current EN 60598 standards. With IP66IK08 protection in accordance with EN60529 standards.



Code	Gear	Kg	Lumen-K-CRI	WTot	Base	Colour
314033-01	CNR-L	6.84		166 W		GREY
314032-01	CNR-L	5.96	JM-E 100-9000lm-3200K-Ra 2a	114 W	E27	GREY
314032-00	CNR-L	5.96	JM-E 100-9000lm-3200K-Ra 2a	114 W	E27	GREY
314038-00	CNR	7.78	SAP-T 250-3300lm-2000 K-Ra 4	277 W	E40	GREY
314030-01	CNR-L	5.50	JM-T 70-5300lm-4000k-Ra 1b	83 W	E27	GREY
314036-01	CNR	6.78	SAP-T 150-17200lm-2000K-Ra 4	166 W	E40	GREY
314035-00	CNR	6.78	SAP-T 100-9000lm-2000K-Ra 4	114 W	E40	GREY
314034-01	CNR	5.50	SAP-T 70-6000lm-2000K-Ra 4	83 W	E27	GREY
314035-01	CNR	5.70	SAP-T 100-9000lm-2000K-Ra 4	114 W	E40	GREY
314033-00	CNR-L	6.84		166 W		GREY
314036-00	CNR	6.78	SAP-T 150-17200lm-2000K-Ra 4	166 W	E40	GREY
314030-00	CNR-L	5.50	JM-T 70-5300lm-4000k-Ra 1b	83 W	E27	GREY
314034-00	CNR	5.50	SAP-T 70-6000lm-2000K-Ra 4	83 W	E27	GREY

Accessories



- 405 articulated connection



- 248 wall bracket



- 249 corner bracket

The reported luminous flux is the flux emitted by the light source with a tolerance of ± 10% compared to the indicated value. The W tot column indicates the total wattage absorbed by the system without exceeding 10% of the indicated