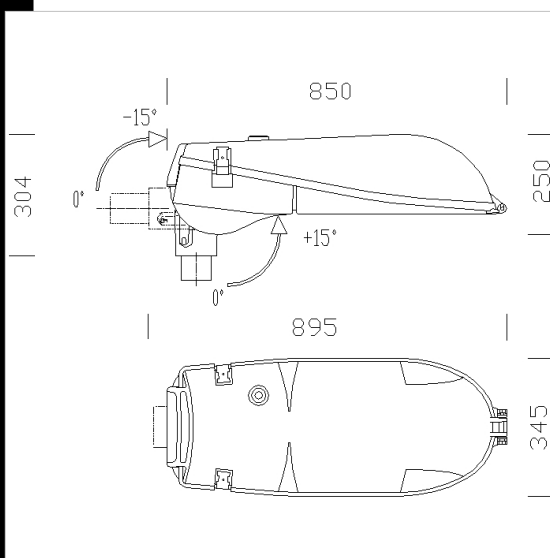


1152 Tonale 1 - Glass diffuser

Housing with frame: In die-cast aluminium.
 Reflector: In anodised, polished, pressed 99.85 aluminium, 6/8 mm thick, with recovery of unused light. (99.90 aluminium on request).
 Cover: Hinge opening in aluminium, die-cast in a single piece. With stainless steel latches and safety device against accidental opening.
 Diffuser: Tempered glass, 5 mm thick, thermal shock and impact resistant (UNI7142 tests - British standard 3193).
 Painting: With polyester powder, colour RAL7030/7016 grey. Both processes applied after chromate treatment, resistant to corrosive and saline environments.
 Electric gear: 230V/50Hz power supply. Silicone wire terminated with clamps in admiralty brass, fiber glass braid, 1 sqmm cross-section. Nylon 2P terminal block with maximum allowed lead cross-section of 2.5 sqmm.
 Equipment: When the cover is open, it stays hooked on by a special device against accidental opening for easy maintenance. Environment-friendly gasket. Rotating socket with protractor scale to fit the housing either to mast top or mast arm, Ø60/76 mm connector and standard knife switch.
 Regulations: Produced according to applicable EN60598-1 CEI 34-21 standards, IP667 degree of protection for the lamp housing and IP43IK08 for the gear box according to EN60529 standards. They have obtained the ENEC European Certificate of Conformity. Insulation class II.
 Wind surface: 1641 sqcm.
 Non-polluting louvre, ideal for installation in zone 1 (UNI10819), with suitable inclination.

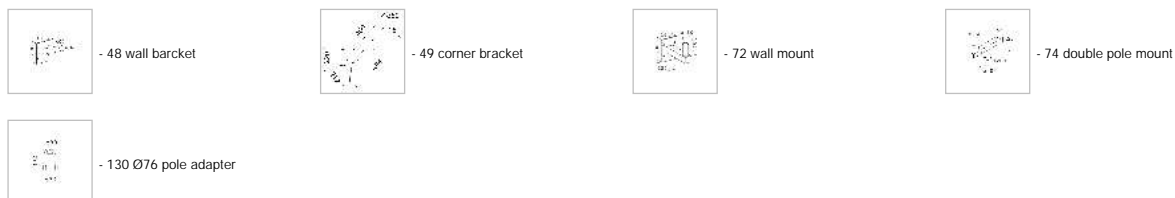


Download

DXF 2D
 - d1152_1.dxf
 Montaggi
 - tonale.pdf

Code	Gear	Kg	Lumen-K-CRI	WTot	Base	Colour
313665-30	CNR	15.00	SAP-T 400-48000lm-2000K-Ra 4	436 W	E40	GREY/GRAFITE
313666-00	CNR-L	12.59	JM-E 100-9000lm-3200K-Ra 2a	114 W	E27	GREY/GRAFITE
313664-00	CNR	13.89	SAP-T 250-33000lm-2000 K-Ra 4	277 W	E40	GREY/GRAFITE
313663-00	CNR	12.00	SAP-T 150-17200lm-2000K-Ra 4	166 W	E40	GREY/GRAFITE
313667-00	CNR-L	12.59	JM-E 150-14000lm-4000K-Ra 1b	166 W	E27	GREY/GRAFITE
313665-00	CNR	15.00	SAP-T 400-48000lm-2000K-Ra 4	435 W	E40	GREY/GRAFITE
313663-30	CNR	12.00	SAP-T 150-17200lm-2000K-Ra 4	169 W	E40	GREY/GRAFITE
313664-30	CNR	13.89	SAP-T 250-33000lm-2000 K-Ra 4	277 W	E40	GREY/GRAFITE

Accessories



The reported luminous flux is the flux emitted by the light source with a tolerance of ± 10% compared to the indicated value. The W tot column indicates the total wattage absorbed by the system without exceeding 10% of the indicated