

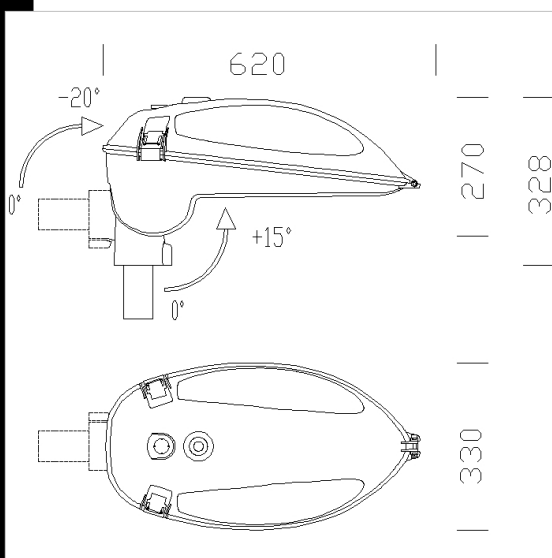
1662 Brallo

HOUSING/FRAME: Made of die-cast aluminium.
REFLECTOR: Light pollution preventing optic unit. Pressed prismatic aluminium 99.85, anodised (6µ) and polished, with flow recuperators.
COVER: single piece die-cast aluminium, opens on hinges, Steel latch and safety device against accidental opening.
GLASS: Tempered glass 5mm, resistant to impact and thermal shock (UNI 12150-1: 2001 tests: 2001).
COATING: Powder-coated with grey RAL7030/7016 polyester coating, resistant to corrosive and saline environments (1000h UNI ISO 9227 test passed).
LAMPHOLDER: Ceramic with silver-plated contacts
ELECTRIC GEAR: 230V/50Hz power supply: Flexible wire terminated with quick-connect admiralty brass clamps; double silicone insulation; cross-section: 1 sqmm. 2P nylon terminal block (maximum allowed lead cross-section: 2.5 sqmm).
STANDARD FEATURES: Electric gear on a removable tray with quick connectors for line and lampholder connection. With anti-condensate filter. Option to install a dimmer.
EQUIPMENT: During maintenance the cover stays attached by means of a device that prevents accidental closing. Environment-friendly silicone rubber gasket. Adjustable mast-top mounting unit Ø60 with four different tilt angles 0° to 15°. Mast-arm mounting unit, with 5 adjustable tilt angles 0° to 20° in negative and three tilt angles 20° to 10° in positive, knife switch included.
REGULATIONS: Manufactured in accordance with EN 60598-CEI 34-21 standards. Degree of protection IP66IK8 in accordance with EN 60529 standards.
 Wind surface: L:771cm² F:1100cm².

Download

DXF 2D
- 1662_1663.dxf

Montaggi
- 1662_1663_incl.dxf
- 1662_3_brallo.pdf
- 1662_1663_mont.dxf



Code	Gear	Kg	Watt	Base	Lamps	Colour
313565-00	CNR	7,40	SAP-T 70	E27	6000lm-2000K-Ra 4	SILVER/GRAPHITE
313562-00	CNR	7,57	SAP-T 100	E40	9000lm-2000K-Ra 4	SILVER/GRAPHITE
313563-00	CNR	8,53	SAP-T 150	E40	17200lm-2000K-Ra 4	SILVER/GRAPHITE
313566-00	CNR	7,67	JM-E 100	E27	9000lm-3200K-Ra 2a	SILVER/GRAPHITE
313567-00	CNR	7,68	JM-E 150	E27	14000lm-4000K-Ra 1b	SILVER/GRAPHITE
313564-00	CNR	9,20	SAP-T 250	E40	33000lm-2000 K-Ra 4	SILVER/GRAPHITE

Accessori



- 363 Ø76 pole adapter