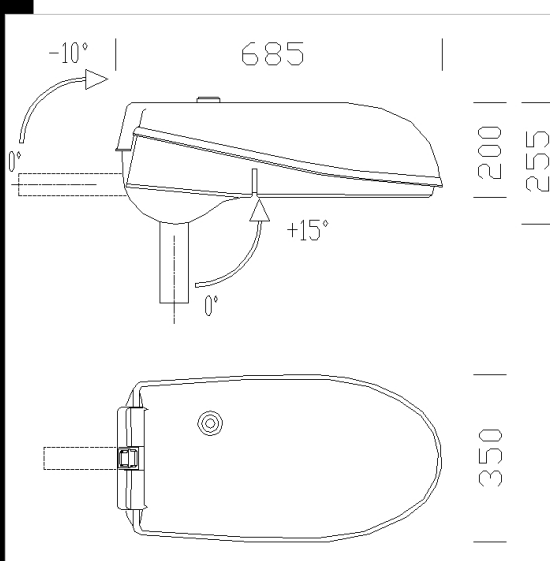


1651 Minitonale

Housing with frame: In die-cast aluminium.
 Reflector: In anodised, polished, pressed 99.85 aluminium, 6/8 mm thick, with recovery of unused light. (99.90 aluminium on request).
 Cover: Hinge opening in aluminium, die-cast in a single piece. With stainless steel latches and safety device against accidental opening.
 Diffuser: Tempered glass, 5 mm thick, thermal shock and impact resistant (UNI EN 12150-1:2001 tests).
 Painting: With polyester powder, colour RAL7030/7016 grey.resistant to corrosive and saline environments.
 Electric gear: 230V/50Hz power supply. Silicone wire terminated with clamps in admiralty brass, fiber glass braid, 1 sqmm cross-section. Nylon 2P terminal block with maximum allowed lead cross-section of 2.5 sqmm.
 Equipment: When the cover is open, it stays hooked on by a special device against accidental opening for easy maintenance. Environment-friendly gasket. Rotating socket with protractor scale to fit the housing either to mast top or mast arm, Ø60/76 mm connector and standard knife switch.
 Regulations: Produced according to applicable EN60598-1 CEI 34-21 standards, IP66IK8 degree of protection for the lamp housing and IP44IK8 for the gear box according to EN60529 standards. Insulation class II.
 Wind surface: 1352 sqcm.
 Non-polluting louvre, ideal for installation in zone 1 (UNI10819), with suitable inclination.



Download

- DXF 2D
- 1651.dxf
- 3DS
- 1651 minitonale.3ds
- 3DM
- 1651 minitonale.3dm
- Montaggi
- minitonale.pdf

| Code | Gear | Kg | Watt | Base | Lamps | Colour |
|-----------|-------|-------|-----------|------|---------------------|------------------------|
| 313466-30 | CNR | 9,70 | SAP-T 100 | E40 | 9000lm-2000K-Ra 4 | SILVER/GRAPHITE |
| 313467-00 | CNR-L | 9,70 | JM-E 100 | E27 | 9000lm-3200K-Ra 2a | SILVER/GRAPHITE |
| 313464-00 | CNR | 11,50 | SAP-T 250 | E40 | 33000lm-2000 K-Ra 4 | SILVER/GRAPHITE |
| 313467-30 | CNR | 0,00 | JM-E 100 | E27 | 9000lm-3200K-Ra 2a | Glazed Silver+graphite |
| 313465-00 | CNR | 9,32 | SAP-T 70 | E27 | 6000lm-2000K-Ra 4 | SILVER/GRAPHITE |
| 313464-01 | CNR | 11,50 | SAP-T 250 | E40 | 33000lm-2000 K-Ra 4 | SILVER/GRAPHITE |
| 313461-30 | CNR | 10,32 | SAP-T 150 | E40 | 17200lm-2000K-Ra 4 | SILVER/GRAPHITE |
| 313466-00 | CNR | 9,26 | SAP-T 100 | E40 | 9000lm-2000K-Ra 4 | SILVER/GRAPHITE |
| 313466-01 | CNR | 9,26 | SAP-T 100 | E40 | 9000lm-2000K-Ra 4 | SILVER/GRAPHITE |
| 313461-01 | CNR | 9,86 | SAP-T 150 | E40 | 17200lm-2000K-Ra 4 | SILVER/GRAPHITE |
| 313464-30 | CNR | 11,50 | SAP-T 250 | E40 | 33000lm-2000 K-Ra 4 | SILVER/GRAPHITE |
| 313468-00 | CNR | 12,50 | SAP-T 400 | E40 | 48000lm-2000K-Ra 4 | SILVER/GRAPHITE |
| 313461-00 | CNR | 9,86 | SAP-T 150 | E40 | 17200lm-2000K-Ra 4 | SILVER/GRAPHITE |
| 313465-30 | CNR | 9,32 | SAP-T 70 | E27 | 6000lm-2000K-Ra 4 | SILVER/GRAPHITE |
| 313465-01 | CNR | 9,32 | SAP-T 70 | E27 | 6000lm-2000K-Ra 4 | SILVER/GRAPHITE |
| 313462-00 | CNR | 9,86 | JM-T 150 | E27 | 14000lm-4000K-Ra 1b | SILVER/GRAPHITE |

Accessories



- 130 Ø76 pole adapter