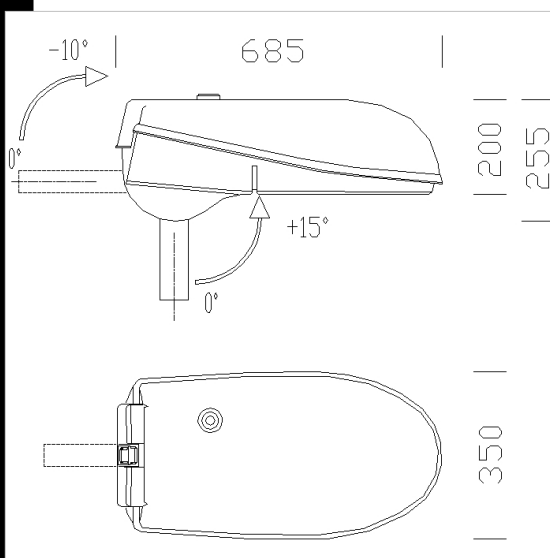


1660 Minitonale bike trails

Housing with frame: In die-cast aluminium.
 Reflector: In anodised, polished, pressed 99.85 aluminium, 6/8 m thick, with recovery of unused light. (99.90 aluminium on request).
 Cover: Hinge opening in aluminium, die-cast in a single piece. With stainless steel latches and safety device against accidental opening.
 Diffuser: Tempered glass, 5 mm thick, thermal shock and impact resistant (UNI EN 12150-1:2001 tests).
 Painting: With polyester powder, colour RAL7030/7016 grey.resistant to corrosive and saline environments.
 Electric gear: 230V/50Hz power supply. Silicone wire terminated with clamps in admiralty brass, fiber glass braid,1 sqmm cross-section. Nylon 2P terminal block with maximum allowed lead cross-section of 2.5 sqmm.
 Equipment: When the cover is open, it stays hooked on by a special device against accidental opening for easy maintenance. Environment-friendly gasket. Rotating socket with protractor scale to fit the housing either to mast top or mast arm, Ø60/76 mm connector and standard knife switch.
 Regulations: Produced according to applicable EN60598-1 CEI 34-21 standards, IP66IK8 degree of protection for the lamp housing and IP44IK8 for the gear box according to EN60529 standards. Insulation class II.
 Wind surface: 1352 sqcm.
 Non-polluting louvre, ideal for installation in zone 1 (UNI10819), with suitable inclination.

Download

- DXF 2D
- 1651.dxf
- 3DS
- 1651 minitonale.3ds
- 3DM
- 1651 minitonale.3dm
- Montaggi
- minitonale.pdf



Code	Gear	Kg	Watt	Base	Lamps	Colour
313451-00	CNR-L	9,32	JM-T 70	E27	5300lm-4000k-Ra 1b	SILVER/GRAPHITE
313452-00	CNR-L	9,86	JM-T 150	E27	14000lm-4000K-Ra 1b	SILVER/GRAPHITE
313450-00	CNR-L	9,32	SAP-T 70	E27	6000lm-2000K-Ra 4	SILVER/GRAPHITE

Accessories



- 130 Ø76 pole adapter