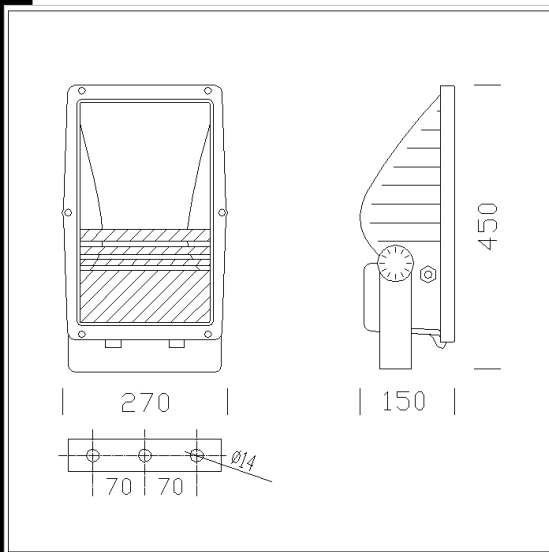


1149 Litio - asymmetric

Housing/frame: In die-cast aluminium with wide cooling fins.
 Reflector: Asymmetric in anodized polished and hammered 99.85 aluminium, 2µ thick.
 Diffuser: Tempered glass, 5 mm thick, thermal shock and impact resistant. (UNI7142 tests British standard 3193).
 Painting: With polyester powder, graphite or sand blasted silver, upon chromate treatment, resistant to corrosive and saline environments.
 Lampholder: In ceramics, with silver-plated contacts. Socket Rx7, E27, Fc2.
 Electric gear: 230V/50Hz power supply with heat protection. Silicone wire terminated with quick-connect clamps in admiralty brass, with fiberglass braid, 1 sqmm cross section. Nylon 2P+T terminal block with maximum allowed lead cross section of 2.5 sqmm.
 Equipment: Gasket in silicone rubber material. Cable gland in f.g. nylon, Ø 1/2 gas thread. Retained steel screws with special anticorrosion and anti-gripping treatment. Bracket in stainless steel with protractor scale. The hinge-opening front frame stays hooked to the fixture housing.
 Regulations: Produced according to applicable EN60598-1 CEI 34-21 standards, IP65IK08 degree of protection according to EN 60529 standards. Have obtained the ENEC European certification of conformity.
 Lamps: Includes discharge lamps.
 Wind surface: 900 sqcm.

Download
 DXF 2D
 - 1149liti.dxf
 Montaggi
 - 1148_9_litio.pdf



Code	Gear	Kg	Lumen-K-CRI	WTot	Base	Colour
313344-21	CNR-L	8.45	JM-TS 250-20000lm-4200k-Ra 1b	277 W	FC2	WHITE
313342-00	CNR-L	6.55	JM-E 100-9000lm-3200K-Ra 2a	114 W	E27	GRAPHITE
313343-21	CNR-L	6.95	JM-TS 150-12500lm-4200K-Ra 1b	169 W	Rx7s	WHITE
313352-00	CNR-L	6.95	SAP-TS 150-15000lm-2000K-Ra 4	166 W	Rx7s	GRAPHITE
313344-01	CNR-L	8.45	JM-TS 250-20000lm-4200k-Ra 1b	277 W	FC2	GRAPHITE
313366-00	CNR-L	6.95	SAP-TS 150-15000lm-2000K-Ra 4	166 W	Rx7s	GREY
313363-00	CNR-L	6.90	JM-E 100-9000lm-3200K-Ra 2a	114 W	E27	GREY
313364-00	CNR-L	6.95	JM-TS 150-12500lm-4200K-Ra 1b	166 W	Rx7s	GREY
313343-00	CNR-L	6.95	JM-TS 150-12500lm-4200K-Ra 1b	166 W	Rx7s	GRAPHITE
313343-01	CNR-L	6.95	JM-TS 150-12500lm-4200K-Ra 1b	169 W	Rx7s	GRAPHITE
313344-00	CNR-L	8.45	JM-TS 250-20000lm-4200k-Ra 1b	277 W	FC2	GRAPHITE
313365-00	CNR-L	8.65	JM-TS 250-20000lm-4200k-Ra 1b	277 W	FC2	GREY

Accessories



- 53 protective guard



- 42 adjustable arm



- 51 baffle louver

The reported luminous flux is the flux emitted by the light source with a tolerance of ± 10% compared to the indicated value. The W tot column indicates the total wattage absorbed by the system without exceeding 10% of the indicated