

## 1103 Nikos

Housing: In sheet steel.

Reflector: In pressed prismatic 99.85 anodized, polished.

Painting: Spray coated with a UV-stabilised acrylic water-based paint, resistant to humidity, UV-stabilized, anti-yellowing.

Lampholder: In ceramics, with silver-plated contacts. Socket E27; E40.

Electric gear: 230V/50Hz power supply. Silicone flexible, with fiberglass braid, 1.5 sqmm cross section. Nylon 2P+T terminal block with maximum allowed lead cross section of 4 sqmm.

Upper plate: In steel, with socket/plug terminal.

Accessories: Possible installation of a tempered protective glass, acc.1183, thermal shock and impact resistant, as an alternative to the protective guard.

Regulations: Produced according to applicable EN60598-1 CEI 34-21 standards, IP40IK08 high degree of protection according to EN60529 standards. Moreover, these products can be installed on normally inflammable surfaces.

Note: For optimal operation of industrial luminaires supplied without lamp (CNR) we recommend the use of the suitable lamps

1103 Nikos JM-T400 3.25A; 0.6-1.0 KV

1103 Nikos JM-T/SAP-T250 3A; 3.5-4.5KV

We recommend the use suitable accessoires (acc.1187/8)

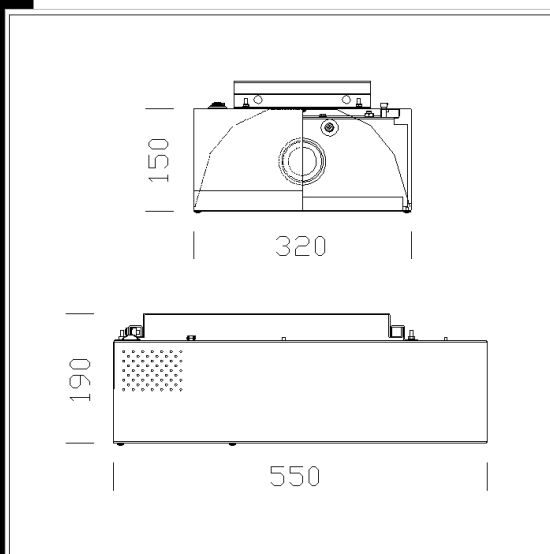
### Download

DXF 2D

- 1103.dxf

Montaggi

- 1103\_4\_nikos.pdf



Code	Gear	Kg	Watt	Base	Lamps	Colour
311561-01	CNR	0,00	CDM-T MW 360	E40	--	WHITE
321560-00	CNR	9,10	CDM-T MW 230 / SAP-T 250	E40	--	WHITE
321561-00	CNR	13,50	CDM-T MW 360	E40	--	WHITE
321562-00	CNR	13,50	SAP-T 400	E40	48000lm-2000K-Ra 4	WHITE
321560-01	CNR	9,10	CDM-T MW 230 / SAP-T 250	E40	--	WHITE
321562-01	CNR	13,50	SAP-T 400	E40	48000lm-2000K-Ra 4	WHITE

### Accessories



- 1187 protective grid



- 1175 Em box



- 1185 recess frame



- 1188 glass