

**IP40**

**Download**

DXF 2D  
- d6503.dxf

Montaggi  
- 6401\_501\_rapidsystem\_tn.pdf



**6503 Rapid System - with upper cover**

**Housing:** In rolled hot-dip galvanized steel, with rounded edges to protect hand and with end caps in polycarbonate.

**Painting:** Steel stove pre-enamelling with white polyester resin, UV-stabilized, anti-yellowing, upon phosphate treatment.

**Lampholder:** In white polycarbonate, with contacts in phosphor bronze, quick connection, with protective collars to prevent lamp from falling. Socket G13.

**Electric gear:** 230-240V/50Hz power supply. Hard wire, 0.50 sqmm cross section, and PVC-HT sheath, resistant up to 90°C, according to CEI 20-20 standards. 2P + T terminal block, with maximum allowed lead cross section of 2.5 sqmm.

**Standard supply:** Nylon ratchet fastener.

**Equipment:** Complete with power supply terminal block and upper cover (acc. 6405) for installation directly on ceiling or wall.

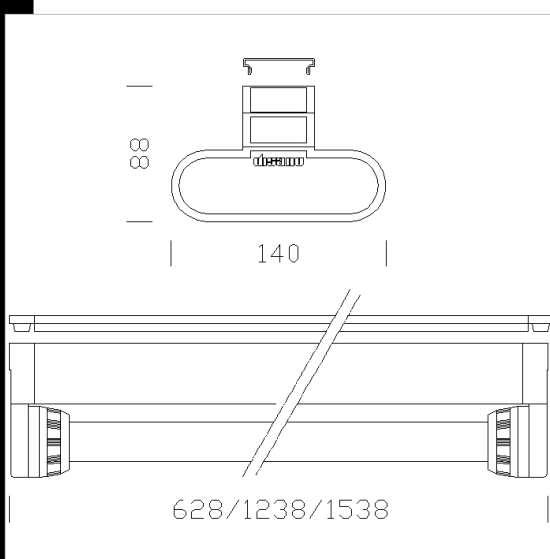
**Mounting:** Ceiling or wall.

**Regulations:** Produced according to applicable EN60598-1 CEI 34-21 standards, IP40IK07 degree of protection according to EN 60529 standards and approved by the Italian Body for Quality Marking (IMO).

These products can be installed on normally inflammable surfaces.

**Additional gear:** Electronic ballast. Emergency kit.

**Emergency light version:** If a black-out occurs, only one lamp connected to the emergency circuit will stay on, thus avoiding the inconvenience caused by a sudden absence of all light. It has a 60-minute emergency run time. When power is restored, the battery recharges automatically.



Code	Gear	Kg	Lumen-K-CRI	WTot	Base	Colour
238124-08	CEL	1,28	FL 2x18-na-na-na	38 W	G13	WHITE
238125-08	CEL	2,30	FL 2x36---	70 W	G13	WHITE
238126-08	CEL	3,42	FL 2x58---	113 W	G13	WHITE

The reported luminous flux is the flux emitted by the light source with a tolerance of ± 10% compared to the indicated value. The W tot column indicates the total wattage absorbed by the system without exceeding 10% of the indicated