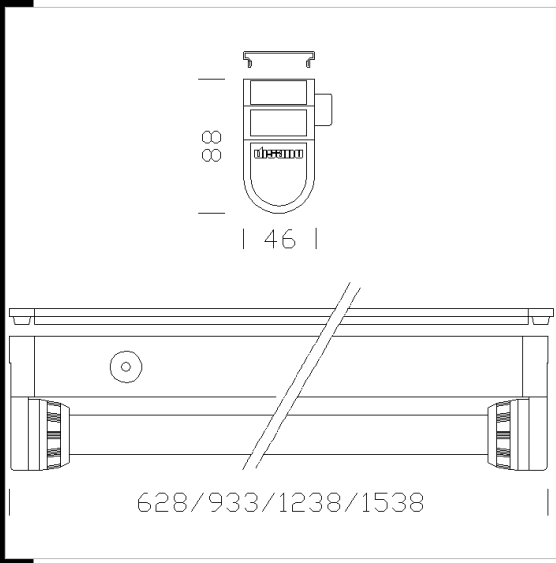


6403 Rapid System - with upper cover

Housing: In rolled hot-dip galvanized steel, with rounded edges to protect hand and with end caps in polycarbonate.
 Painting: Steel stove pre-enamelling with white polyester resin, UV-stabilized, anti-yellowing, upon phosphate treatment.
 Lampholder: In white polycarbonate, with contacts in phosphor bronze, quick connection, with protective collars to prevent lamp from falling. Socket G13.
 Electric gear: 230-240V/50Hz power supply. Hard wire, 0.50 sqmm cross section, and PVC-HT sheath, resistant up to 90°C, according to CEI 20-20 standards. 2P + T terminal block, with maximum allowed lead cross section of 2.5 sqmm.
 Standard supply: Nylon ratchet fastener.
 Equipment: Complete with power supply terminal block and upper cover (acc. 6405) for installation directly on ceiling or wall.
 Mounting: Ceiling or wall.
 Regulations: Produced according to applicable EN60598-1 CEI 34-21 standards, IP40IK07 degree of protection according to EN 60529 standards and approved by the Italian Body for Quality Marking (IMO).
 These products can be installed on normally inflammable surfaces.
 Additional gear: Electronic ballast. Emergency kit.
 Emergency light version: If a black-out occurs, only one lamp connected to the emergency circuit will stay on, thus avoiding the inconvenience caused by a sudden absence of all light. It has a 60-minute emergency run time. When power is restored, the battery recharges automatically.
 Special electric gear: Electronic ballast. Emergency kit. Only for 6401/6501 version without acc 6405.

Download
 DXF 2D
 - d6403.dxf
 Montaggi
 - 6401_501_rapidssystem_tn.pdf



Code	Gear	Kg	Lumen-K-CRI	WTot	Base	Colour
238120-08	CEL	1,19	FL 1x18---	20 W	G13	WHITE
238121-08	CEL	0,50	FL 1x30---	31 W		WHITE
238122-08	CEL	1,70	FL 1x36---	37 W	G13	WHITE
238123-08	CEL	2,20	FL 1x58---	56 W	G13	WHITE

The reported luminous flux is the flux emitted by the light source with a tolerance of ± 10% compared to the indicated value. The W tot column indicates the total wattage absorbed by the system without exceeding 10% of the indicated