



6401 Rapid System T5 - with knife switch

Housing: In rolled hot-dip galvanized steel, with rounded edges to protect hand and with end caps in polycarbonate.

Painting: Steel stove pre-enamelling with white polyester resin, UV-stabilized, anti-yellowing, upon phosphate treatment.

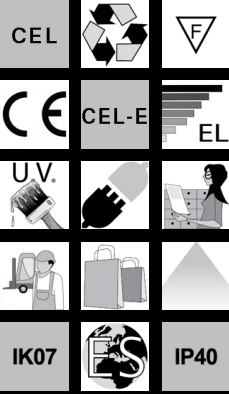
Lampholder: In white polycarbonate, with contacts in phosphor bronze, quick connection, with protective collars to prevent lamp from falling. Socket G5.

Electric gear: 230-240V/50Hz power supply. Hard wire, 0.50 sqmm cross section, and PVC-HT sheath, resistant up to 90°C, according to CEI 20-20 standards. 2P + T terminal block, with maximum allowed lead cross section of 2.5 sqmm.

Standard supply: Nylon ratchet fastener.

Mounting: On track, directly to ceiling or wall.

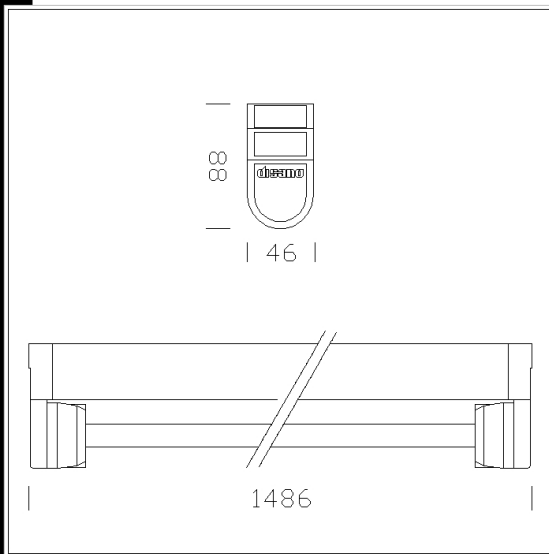
Regulations: Produced according to applicable EN60598-1 CEI 34-21 standards, IP40IK07 degree of protection according to EN 60529. These products can be installed on normally inflammable surfaces..



Download

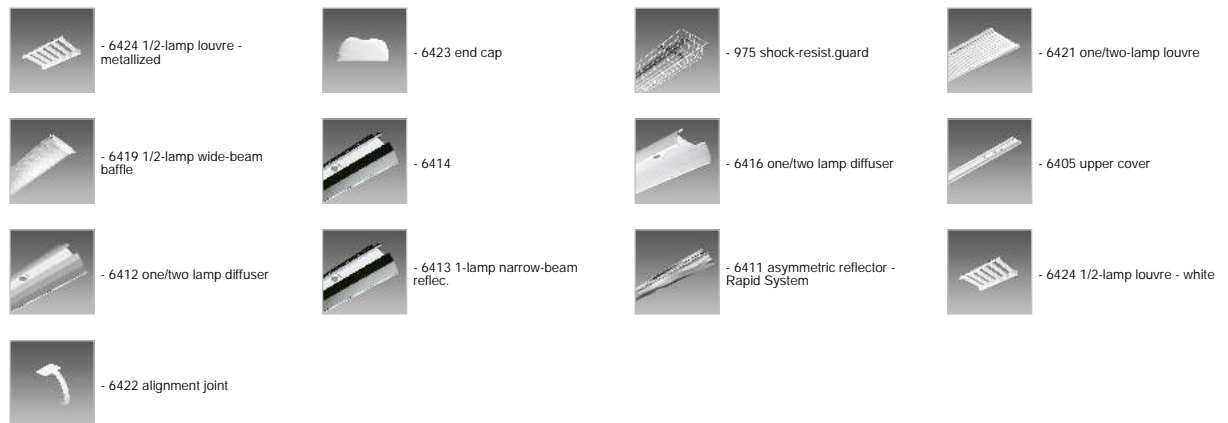
DXF 2D
- 6401_t5.dxf

Montaggi
- 6401_501_rapidssystem_tn.pdf



Code	Gear	Kg	Lumen-K-CRI	WTot	Base	Colour
238054-09	CEL-E	1.81	FL 1x49---	60 W	G5	WHITE
238054-00	CEL	1.25	FL 1x49---	55 W	G5	WHITE
238050-00	CEL	1.18	FL 1x80---	86 W	G5	WHITE
238056-00	CEL	1.85	FL 1x54---	60 W	G5	WHITE
238050-09	CEL-E	1.92	FL 1x80---	90 W	G5	WHITE
238056-09	CEL-E	1.56	FL 1x54---	64 W	G5	WHITE

Accessories



The reported luminous flux is the flux emitted by the light source with a tolerance of ± 10% compared to the indicated value. The W tot column indicates the total wattage absorbed by the system without exceeding 10% of the indicated