

6315 Elesystem T5

Fixture housing: Galvanised steel previously stove-enamelled with UV-stabilised white polyester resin; rounded edges to prevent cutting; polycarbonate end caps.

Lampholder: Polycarbonate with bronze contacts, quick connection, with protective collars to prevent lamp from falling.

Electric gear: Traditional 230V/50Hz power system or with 230-240V/50-60Hz electronic ballast. Hard wire, cross-section 0.50 sqmm, and high-temperature resistant (up to 90°C) PVC-HT sheath, in accordance with CEI 20-20 standards.

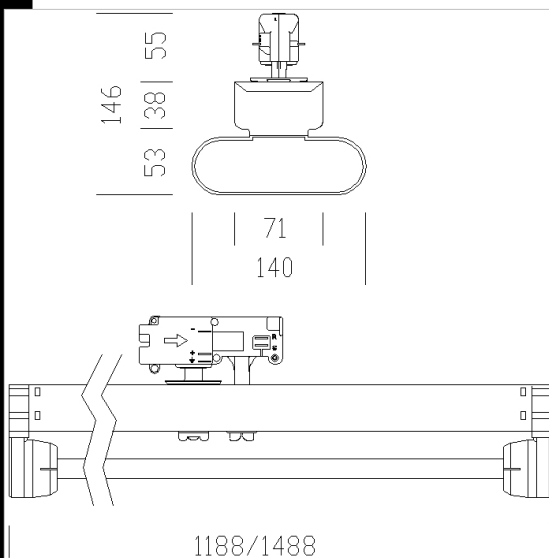
Standard supply: Nylon fastening pawl and adaptor for power connection with protective 3.15A protection fuse.

Regulations: Manufactured in compliance with EN60598 - CEI 34 -21 standards. The level of protection complies with the EN60529 standard.

Other versions: With electronic dimming ballast.

Emergency version: In maintained version. In the event of a black-out a single lamp connected to the back-up circuit stays on. Run time 60 minutes.

On request: A "Main Control System" to supervise the emergency versions.



Code	Gear	Kg	Lumen-K-CRI	WTot	Base	Colour
237941-12	CELF-D	3,00	FL 2x35---	75 W	G5	WHITE
237942-12	CELF-D	1,55	FL 2x49---	106 W	G5	WHITE
237940-09	CELF-E	1,52	FL 2x28---	64 W	G5	WHITE
237941-09	CELF-E	2,16	FL 2x35---	79 W	G5	WHITE
237942-00	CEL-F	1,45	FL 2x49---	105 W	G5	WHITE
237941-00	CEL-F	1,39	FL 2x35---	75 W	G5	WHITE
237944-09	CELF-E	2,12	FL 2x80---	174 W	G5	WHITE
237942-09	CELF-E	2,06	FL 2x49---	109 W	G5	WHITE
237943-00	CEL-F	1,10	FL 2x54---	120 W	G5	WHITE
237940-00	CEL-F	1,10	FL 2x28---	60 W	G5	WHITE
237944-00	CEL-F	1,49	FL 2x80---	170 W	G5	WHITE
237940-12	CELF-D	2,50	FL 2x28---	60 W	G5	WHITE
237943-12	CELF-D	1,32	FL 2x54---	115 W	G5	WHITE
237944-12	CELF-D	1,61	FL 2x80---	172 W	G5	WHITE
237943-09	CELF-E	1,56	FL 2x54---	124 W	G5	WHITE

Accessori



- 6316 wide beam reflector



- 6319 reflector with louvre



- 6323 end cap



- 6320 Cover for coupling optical diffusing



- 6324 Attack projector



- 6328 narrow beam T5



- 6329 asymmetric T5



- 6330 Bi-asymmetric T5



- 6331 wide beam T5

Download

DXF 2D
- 6315.dxf

Montaggi
- 6301-05-15_elesystem.pdf

The reported luminous flux is the flux emitted by the light source with a tolerance of $\pm 10\%$ compared to the indicated value. The W tot column indicates the total wattage absorbed by the system without exceeding 10% of the indicated