



6305 Elesystem T5

Fixture housing: Galvanised steel previously stove-enamelled with UV-stabilised white polyester resin; rounded edges to prevent cutting; polycarbonate end caps.

Lampholder: Polycarbonate with bronze contacts, quick connection, with protective collars to prevent lamp from falling.

Electric gear: Traditional 230V/50Hz power system or with 230-240V/50-60Hz electronic ballast. Hard wire, cross-section 0.50 sqmm, and high-temperature resistant (up to 90°C) PVC-HT sheath, in accordance with CEI 20-20 standards.

Standard supply: Nylon fastening pawl and adaptor for power connection with protective 3.15A protection fuse.

Regulations: Manufactured in compliance with EN60598 - CEI 34 -21 standards. The level of protection complies with the EN60529 standard.

Other versions: With electronic dimming ballast.

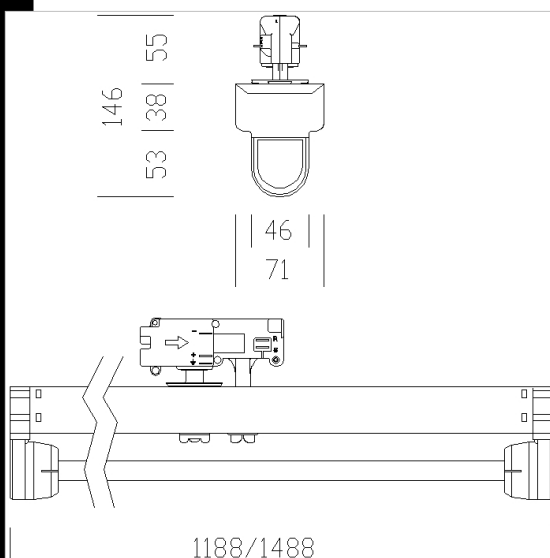
Emergency version: In maintained version. In the event of a black-out a single lamp connected to the back-up circuit stays on. Run time 60 minutes.

On request: A "Main Control System" to supervise the emergency versions.

Download

DXF 2D
- 6305.dxf

Montaggi
- 6301-05-15_elesystem.pdf



Code	Gear	Kg	Lumen-K-CRI	WTot	Base	Colour
237920-12	CELF-D	1,70	FL 1x28---	32 W	G5	WHITE
237922-09	CELF-E	3,00	FL 1x49---	60 W	G5	WHITE
237923-09	CELF-E	2,20	FL 1x54---	64 W	G5	WHITE
237921-09	CELF-E	3,00	FL 1x35---	43 W	G5	WHITE
237920-09	CELF-E	2,40	FL 1x28---	36 W	G5	WHITE
237920-00	CEL-F	1,70	FL 1x28---	32 W	G5	WHITE
237922-00	CEL-F	2,00	FL 1x49---	55 W	G5	WHITE
237924-12	CELF-D	2,00	FL 1x80---	86 W	G5	WHITE
237921-12	CELF-D	1,43	FL 1x35---	39 W	G5	WHITE
237924-09	CELF-E	3,00	FL 1x80---	90 W	G5	WHITE
237922-12	CELF-D	1,43	FL 1x49---	55 W	G5	WHITE
237921-00	CEL-F	2,00	FL 1x35---	39 W	G5	WHITE
237923-00	CEL-F	1,70	FL 1x54---	60 W	G5	WHITE
237923-12	CELF-D	1,18	FL 1x54---	58 W	G5	WHITE
237924-00	CEL-F	2,00	FL 1x80---	86 W	G5	WHITE

Accessori



- 6410 protection tube



- 6316 wide beam reflector



- 6319 reflector with louvre



- 6323 end cap



- 6320 Cover for coupling optical diffusing



- 6321 wide beam reflector



- 6324 Attack projector



- 6328 narrow beam T5



- 6329 asymmetric T5



- 6330 Bi-asymmetric T5



- 6331 wide beam T5

The reported luminous flux is the flux emitted by the light source with a tolerance of $\pm 10\%$ compared to the indicated value. The W tot column indicates the total wattage absorbed by the system without exceeding 10% of the indicated