



6311 Elesystem T8

Fixture housing: Galvanised steel previously stove-enamelled with UV-stabilised white polyester resin; rounded edges to prevent cutting; polycarbonate end caps.

Lampholder: Polycarbonate with bronze contacts, quick connection, with protective collars to prevent lamp from falling.

Electric gear: Traditional 230V/50Hz power system or with 230-240V/50-60Hz electronic ballast. Hard wire, cross-section 0.50 sqmm, and high-temperature resistant (up to 90°C) PVC-HT sheath, in accordance with CEI 20-20 standards.

Standard supply: Nylon fastening pawl and adaptor for power connection with protective 3.15A protection fuse.

Regulations: Manufactured in compliance with EN60598 - CEI 34 -21 standards. The level of protection complies with the EN60529 standard.

Other versions: With electronic dimming ballast.

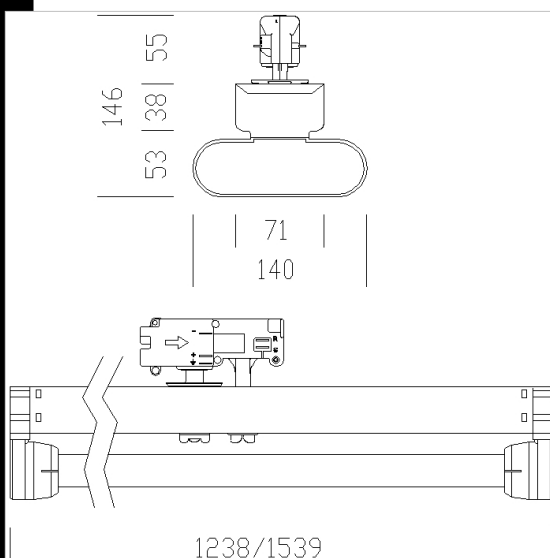
Emergency version: In maintained version. In the event of a black-out a single lamp connected to the back-up circuit stays on. Run time 60 minutes.

On request: A "Main Control System" to supervise the emergency versions.

Download

DXF 2D
- 6311.dxf

Montaggi
- 6301_elesystem.pdf



| Code | Gear | Kg | Watt | Base | Lamps | Colour |
|-------------|----------|------|---------|------|--------------------|--------|
| 237831-12 | CELF-D | 3,03 | FL 2x58 | G13 | 5200lm-4000K-Ra 1b | WHITE |
| 237830-08 | CEL-F | 3,00 | FL 2x36 | G13 | 3350lm-4000K-Ra 1b | WHITE |
| 237830-12 | CELF-D | 3,00 | FL 2x36 | G13 | 3350lm-4000K-Ra 1b | WHITE |
| 237830-0041 | CELF-D-D | 1,34 | FL 2x36 | G13 | 3350lm-4000K-Ra 1b | WHITE |
| 237831-0041 | CELF-D-D | 1,65 | FL 2x58 | G13 | 5200lm-4000K-Ra 1b | WHITE |
| 237830-09 | CELF-E | 3,50 | FL 2x58 | G13 | 5200lm-4000K-Ra 1b | WHITE |

Accessories



- 6321 wide beam reflector



- 6410 protection tube



- 6319 reflector with louvre



- 6323 end cap



- 6320 Cover for coupling optical diffusing



- 6316 wide beam reflector



- 6324 Attack projector