



## 6301 Elesystem T8

Fixture housing: Galvanised steel previously stove-enamelled with UV-stabilised white polyester resin; rounded edges to prevent cutting; polycarbonate end caps.

Lampholder: Polycarbonate with bronze contacts, quick connection, with protective collars to prevent lamp from falling.

Electric gear: Traditional 230V/50Hz power system or with 230-240V/50-60Hz electronic ballast. Hard wire, cross-section 0.50 sqmm, and high-temperature resistant (up to 90°C) PVC-HT sheath, in accordance with CEI 20-20 standards.

Standard supply: Nylon fastening pawl and adaptor for power connection with protective 3.15A protection fuse.

Regulations: Manufactured in compliance with EN60598 - CEI 34 -21 standards. The level of protection complies with the EN60529 standard.

Other versions: With electronic dimming ballast.

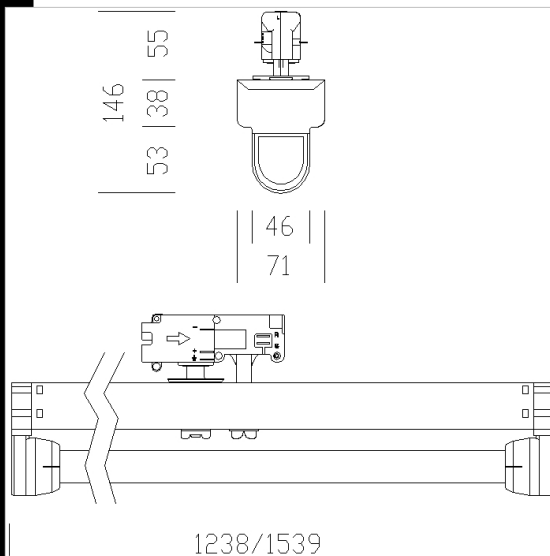
Emergency version: In maintained version. In the event of a black-out a single lamp connected to the back-up circuit stays on. Run time 60 minutes.

On request: A "Main Control System" to supervise the emergency versions.

### Download

DXF 2D  
- 6301.dxf

Montaggi  
- 6301-05-15\_elesystem.pdf



Code	Gear	Kg	Watt	Base	Lamps	Colour
237821-08	CEL-F	2,00	FL 1x58	G13	5200lm-4000K-Ra 1b	WHITE
237821-09	CEL-F-E	3,00	FL 1x58	G13	5200lm-4000K-Ra 1b	WHITE
237820-12	CELF-D	1,10	FL 1x36	G13	3350lm-4000K-Ra 1b	WHITE
237821-12	CELF-D	1,49	FL 1x58	G13	5200lm-4000K-Ra 1b	WHITE
237820-08	CEL-F	2,00	FL 1x36	G13	3350lm-4000K-Ra 1b	WHITE
237820-09	CEL-F-E	3,00	FL 1x36	G13	3350lm-4000K-Ra 1b	WHITE

### Accessories



- 6318 asymmetric reflector



- 6321 wide beam reflector



- 6410 protection tube



- 6317 narrow beam reflector



- 6319 reflector with louvre



- 6323 end cap



- 6320 Cover for coupling optical diffusing



- 6316 wide beam reflector



- 6324 Attack projector