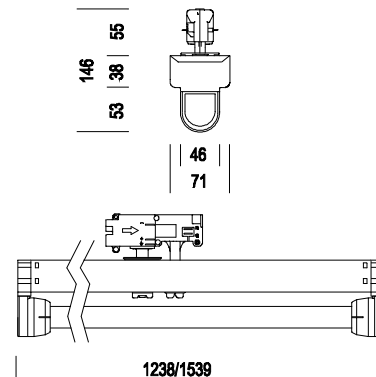


6301 Elesystem T8



Code	Gear	Kg	Colour	Dimensions	lamp
237820-08	CEL-F	1.65	white	1238x71x146	FL 1x36-G13-3350lm-4000K-Ra 1b
237821-08	CEL-F	1.90	white	15439x71x146	FL 1x58-G13-5200lm-4000K-Ra 1b
237820-0041	CELF-D-D	2.80	white	1238x71x146	FL 1x36-G13-3350lm-4000K-Ra 1b
237821-0041	CELF-D-D	3.05	white	1539x71x146	FL 1x58-G13-5200lm-4000K-Ra 1b
237820-09	CELF-E	2.30	white	1238x71x146	FL 1x36-G13-3350lm-4000K-Ra 1b
237821-09	CELF-E	2.60	white	1539x71x146	FL 1x58-G13-5200lm-4000K-Ra 1b
237820-12	CELF-D	1.70	white	1238x71x146	FL 1x36-G13-3350lm-4000K-Ra 1b
237821-12	CELF-D	1.90	white	1539x71x146	FL 1x58-G13-5200lm-4000K-Ra 1b

Fixture housing: Galvanised steel previously stove-enamelled with UV-stabilised white polyester resin; rounded edges to prevent cutting; polycarbonate end caps.

Lampholder: Polycarbonate with bronze contacts, quick connection, with protective collars to prevent lamp from falling.

Electric gear: Traditional 230V/50Hz power system or with 230-240V/50-60Hz electronic ballast. Hard wire, cross-section 0.50 sqmm, and high-temperature resistant (up to 90°C) PVC-HT sheath, in accordance with CEI 20-20 standards.

Standard supply: Nylon fastening pawl and adaptor for power connection with protective 3.15A protection fuse.

Regulations: Manufactured in compliance with EN60598 - CEI 34 -21 standards. The level of protection complies with the EN60529 standard.

Other versions: With electronic dimming ballast.

Emergency version: In maintained version. In the event of a black-out a single lamp connected to the back-up circuit stays on. Run time 60 minutes.

On request: A "Main Control System" to supervise the emergency versions.