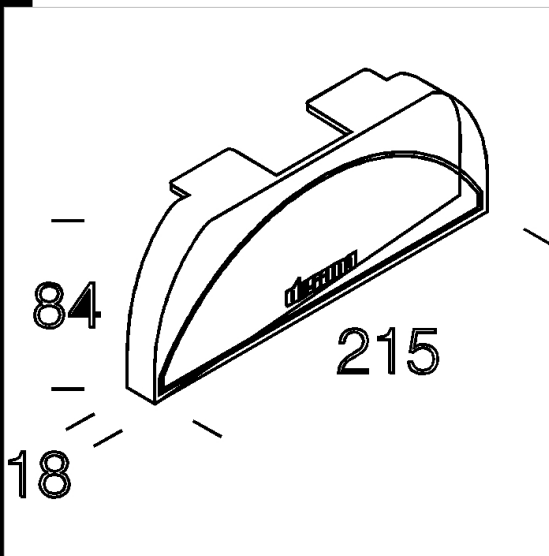




6423 end cap

In ABS. To be used as an end cap for stand-alone reflectors or end reflectors in a continuous line. Price per bag (2 pcs).



Code	Kg	WTot	Colour
237757-00	0.05	0 W	WHITE

Products



- 6501 Rapid System T5 - with



- 6401 Rapid System T5 - with



- 6401 Rapid System - with knife



- 6501 Rapid System - with knife

The reported luminous flux is the flux emitted by the light source with a tolerance of $\pm 10\%$ compared to the indicated value. The W tot column indicates the total wattage absorbed by the system without exceeding 10% of the indicated