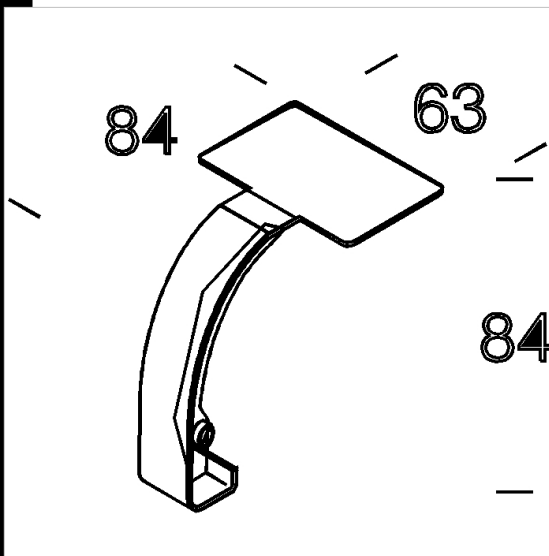




6422 alignment joint

In ABS. Always use in pairs, to align reflectors 6416/6417/6418 in a continuous line. Price per sachet (2 pcs).



Code	Kg	WTot	Colour
237756-00	0.02	0 W	WHITE

Products



- 6501 Rapid System T5 - with



- 6401 Rapid System T5 - with



- 6401 Rapid System - with knife



- 6501 Rapid System - with knife

The reported luminous flux is the flux emitted by the light source with a tolerance of  $\pm 10\%$  compared to the indicated value. The W tot column indicates the total wattage absorbed by the system without exceeding 10% of the indicated