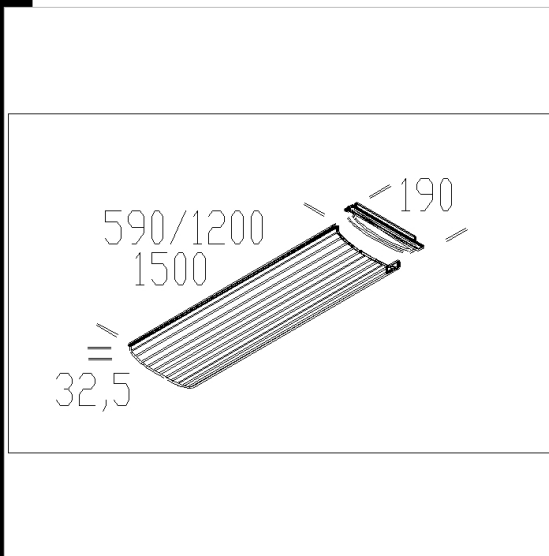


6419 1/2-lamp wide-beam baffle

In plexiglass, scored inside and smooth outside, dustproof, to be applied on reflector acc. 6416/6417.



Code	Kg	Lumen-K-CRI	WTot	Colour
237752-00	1.79	FL 1/2x58---	0 W	WHITE
237750-00	1.08	FL 1/2x18---	0 W	WHITE
237751-00	1.58	FL 1/2x36---	0 W	WHITE

Products



- 6501 Rapid System T5 - with



- 6401 Rapid System T5 - with



- 6401 Rapid System - with knife



- 6501 Rapid System - with knife

The reported luminous flux is the flux emitted by the light source with a tolerance of $\pm 10\%$ compared to the indicated value. The W tot column indicates the total wattage absorbed by the system without exceeding 10% of the indicated