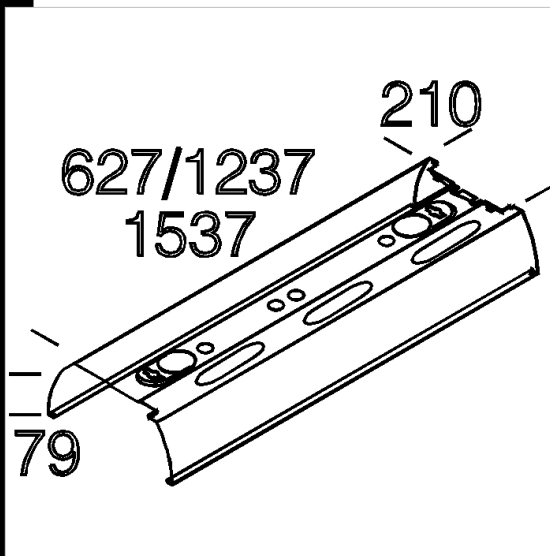


6417 dir/indir.light reflector

In steel. Possible direct and indirect light with upper cutting for indirect output.



Code	Kg	Lumen-K-CRI	WTot	Colour
237745-00	1,55	FL 1/2x36---	0 W	WHITE
237746-00	1,93	FL 1/2x58---	0 W	WHITE

Prodotti



- 6401 Rapid System - with knife



- 6501 Rapid System - with knife

Download
DXF 2D
- d6417.dxf

The reported luminous flux is the flux emitted by the light source with a tolerance of $\pm 10\%$ compared to the indicated value. The W tot column indicates the total wattage absorbed by the system without exceeding 10% of the indicated