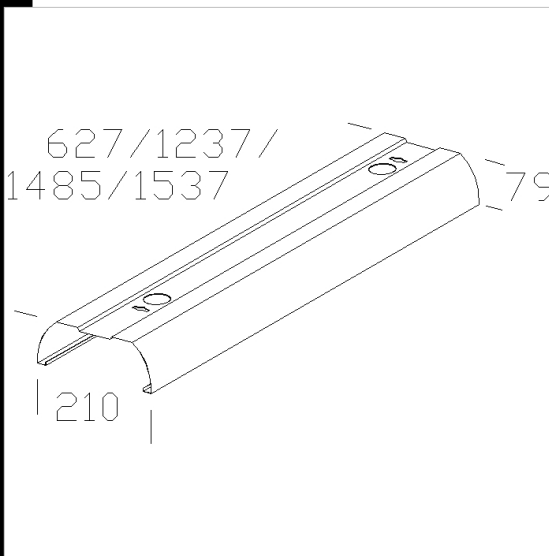


6416 one/two lamp diffuser

In steel, pre-painted with polyester resin, white. Can be used with acc. 6424, 6419, 6421.



Code	Kg	Lumen-K-CRI	WTot	Colour
237747-00	2,00	FL 1/2x80---	0 W	WHITE
237743-00	1,84	FL 1/2x58---	0 W	WHITE
237742-00	1,63	FL 1/2x36---	0 W	WHITE
237741-00	0,88	FL 1/2x18---	0 W	WHITE

Prodotti



- 6501 Rapid System T5 - with



- 6401 Rapid System T5 - with



- 6401 Rapid System - with knife



- 6501 Rapid System - with knife

The reported luminous flux is the flux emitted by the light source with a tolerance of $\pm 10\%$ compared to the indicated value. The W tot column indicates the total wattage absorbed by the system without exceeding 10% of the indicated