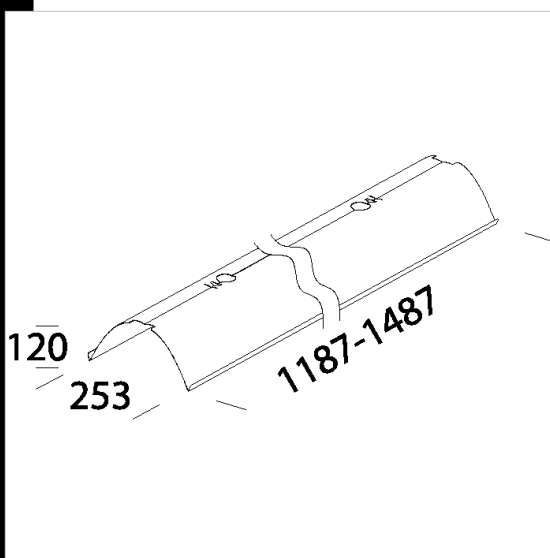


6414

In high-gloss 99.85 aluminium anodized, polished, 2µ thick.

Download

DXF 2D
- 6414.dxf



Code	Kg	Lumen-K-CRI	WTot	Base	Colour
237738-00	0,15	2x58---	0 W		ALUMINIUM
237764-00	0,06	FL 2x54---	0 W	G5	ALUMINIUM
237737-00	0,10	2x36---	0 W		ALUMINIUM
237765-00	0,04	FL 1/2x49/80---	0 W		ALUMINIUM
237766-00	0,11		0 W		ALUMINIUM

Prodotti



- 6501 Rapid System - with knife switch



- 6501 Rapid System T5 - with knife switch



- 6401 Rapid System T5 - with knife switch



- 6502 Rapid system - 2-lamps version LED



- 6402 Rapid system - 1-lamp version LED

The reported luminous flux is the flux emitted by the light source with a tolerance of ± 10% compared to the indicated value. The W tot column indicates the total wattage absorbed by the system without exceeding 10% of the indicated