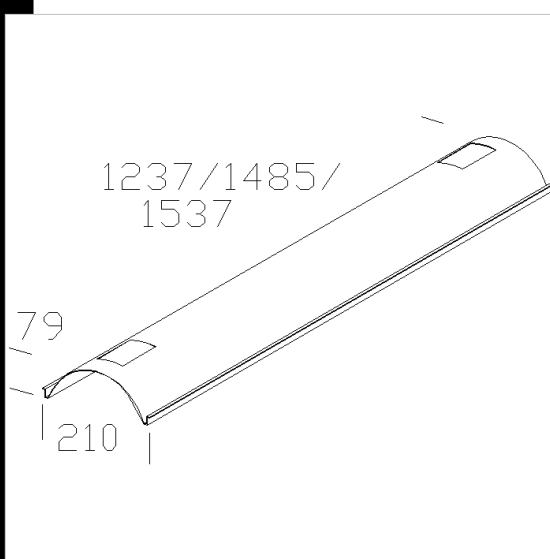


6413 1-lamp narrow-beam reflec.

In high-gloss 99.85 aluminium anodized, polished, 2μ thick.



Code	Kg	Lumen-K-CRI	WTot	Base	Colour
237735-00	0,07	1x58---	0 W		ALUMINIUM
237736-00	0,07	1x80---	0 W		ALUMINIUM
237733-00	0,31	FL 1x54---	0 W	G5	ALUMINIUM
237734-00	0,08	1x36---	0 W		ALUMINIUM
237732-00	0,19		0 W		ALUMINIUM

**Prodotti**



- 6502 Rapid system - 2-lamps version LED



- 6401 Rapid System T5 - with knife switch



- 6402 Rapid system - 1-lamp version LED



- 6401 Rapid System - with knife switch

The reported luminous flux is the flux emitted by the light source with a tolerance of  $\pm 10\%$  compared to the indicated value. The W tot column indicates the total wattage absorbed by the system without exceeding 10% of the indicated