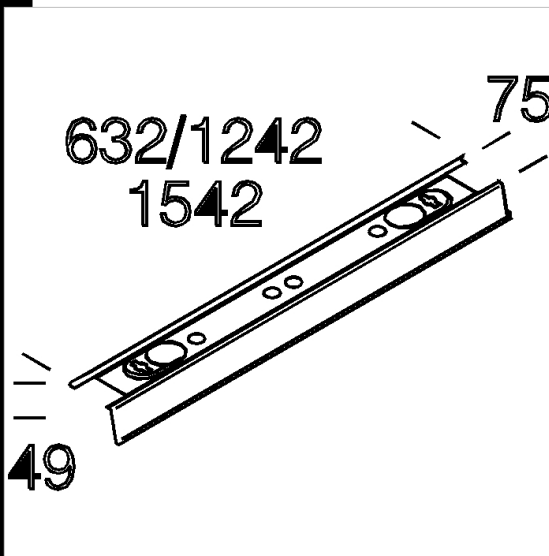


6440 one lamp corner reflector

In steel, pre-painted with polyester resin, white. Applications: working benches.



Code	Kg	Lumen-K-CRI	WTot	Base	Colour
237717-00	0,81	FL 1x58-5200lm-4000K-Ra 1b	0 W	G13	WHITE
237716-00	0,64	FL 1x36-3350lm-4000K-Ra 1b	0 W	G13	WHITE
237715-00	0,36	FL 1x18-1350lm-4000K-Ra 1b	0 W	G13	WHITE

Prodotti



- 6401 Rapid System - with knife



- 6501 Rapid System - with knife

Download
DXF 2D
- d6440.dxf

The reported luminous flux is the flux emitted by the light source with a tolerance of $\pm 10\%$ compared to the indicated value. The W tot column indicates the total wattage absorbed by the system without exceeding 10% of the indicated