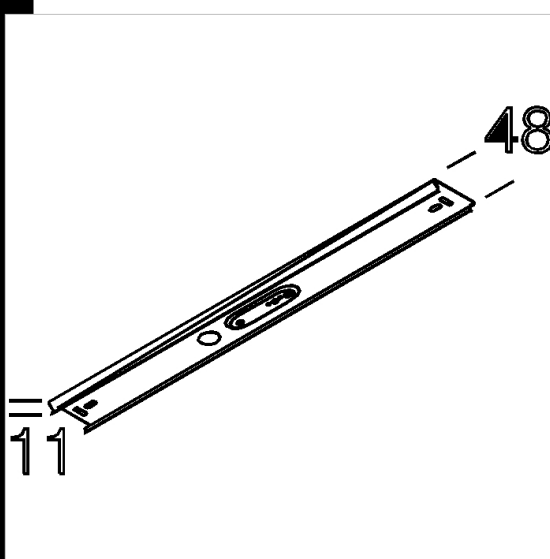


6405 upper cover

In steel, pre-painted with polyester resin, white. For ceiling mounting.



Download

DXF 2D
- d6405.dxf

Code	Kg	Lumen-K-CRI	WTot	Colour
237603-00	0,25	FL 1/2x18---	0 W	WHITE
237602-46	0,33	FL 1x30---	0 W	
237604-46	0,40	FL 1/2x36---	0 W	
237605-46	0,55	FL 1/2x58---	0 W	WHITE
237612-00	0,56	FL 1/2x80---	0 W	WHITE

Prodotti



- 6501 Rapid System T5 - with knife switch



- 6401 Rapid System T5 - with knife switch



- 6401 Rapid System - with knife switch



- 6501 Rapid System - with knife switch

The reported luminous flux is the flux emitted by the light source with a tolerance of $\pm 10\%$ compared to the indicated value. The W tot column indicates the total wattage absorbed by the system without exceeding 10% of the indicated