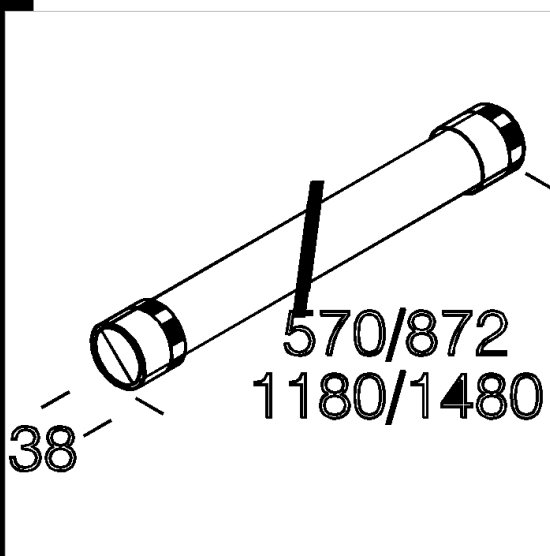


## 6410 protection tube

In polycarbonate (V2), scored inside and smooth outside, dustproof. Mounting collars in polycarbonate.



Download

DXF 2D  
- d6410.dxf

Code	Kg	Lumen-K-CRI	WTot	Base
237601-00	0.13	FL 1x30-2350lm-4000K-Ra 1b	0 W	G13
237614-00	0.16	FL 1/2x28/54---	0 W	
237615-00	0.23	FL 1/2x35/49/80---	0 W	
237606-00	0.12	FL 1/2x18---	0 W	
237608-00	0.23	FL 1/2x58---	0 W	
237607-00	0.16	FL 1/2x36---	0 W	

### Products



- 6305 Elesystem T5



- 6401 Rapid System - with knife switch



- 6501 Rapid System - with knife switch



- 6301 Elesystem T8



- 6501 Rapid System T5 - with knife switch



- 6311 Elesystem T8

The reported luminous flux is the flux emitted by the light source with a tolerance of  $\pm 10\%$  compared to the indicated value. The W tot column indicates the total wattage absorbed by the system without exceeding 10% of the indicated