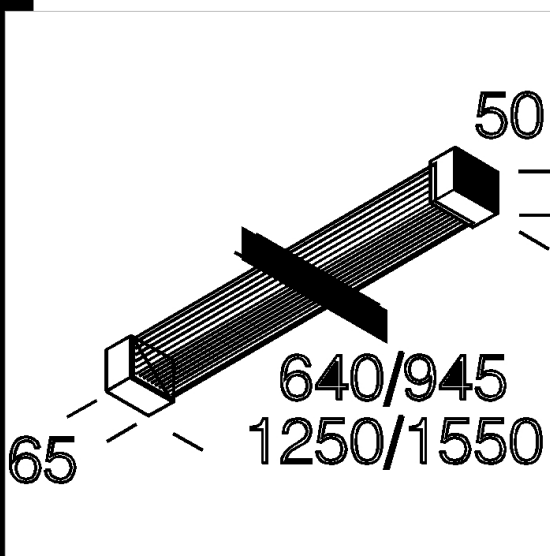
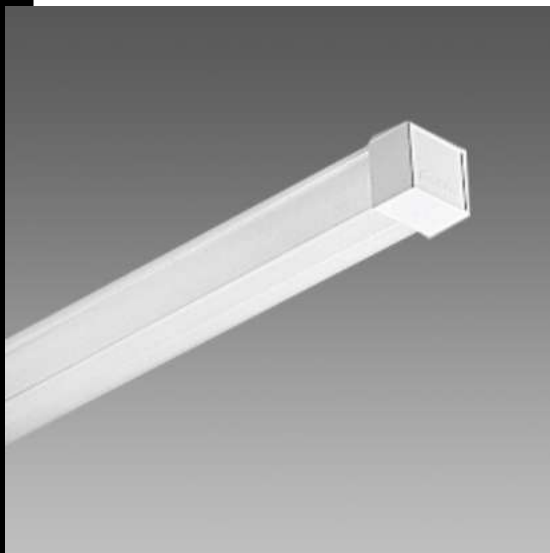


6415 one-lamp diffuser

In plexiglass, scored inside.



Code	Kg	Lumen-K-CRI	WTot	Base
237610-00	0,39	FL 1x36-3350lm-4000K-Ra 1b	0 W	G13
237609-00	0,21	FL 1x18-1350lm-4000K-Ra 1b	0 W	G13
237611-00	0,44	FL 1x58-5200lm-4000K-Ra 1b	0 W	G13
237600-00	0,29	FL 1x30-2350lm-4000K-Ra 1b	0 W	G13

Prodotti



- 6501 Rapid System T5 - with



- 6401 Rapid System - with knife



- 6501 Rapid System - with knife

Download

DXF 2D
- d6415.dxf

The reported luminous flux is the flux emitted by the light source with a tolerance of $\pm 10\%$ compared to the indicated value. The W tot column indicates the total wattage absorbed by the system without exceeding 10% of the indicated