

6502 Rapid system - 2-lamps version LED

Thanks to the expertise and attention to quality guaranteed by Disano, a world-wide leader in the industrial lighting sector, the Rapid System series is now available with LEDs: the product presents the same basic features that has made it such a success over the years, plus the advantages of the LED technology, such as quality output, energy saving and long life. Similar properties can be seen only in fixtures with a very high level of design and manufacturing. Ideal for the installation in stores to save running costs thanks to the LED technology and its versatile and easy-to-maintain properties. Rapid System uses latest generation LEDs and modules that are designed to allow the light beam to be directed according to needs in order to optimise light and performance when they are used in combination with optical accessories. A simple and innovative solution that will illuminate retailing spaces and stores with advanced lighting.

**Housing:** In rolled hot-dip galvanized steel, with rounded edges to protect hand and with end caps in polycarbonate.

**Diffuser:** micro-ribbed methacrylate

**Painting:** Steel stove pre-enamelling with white polyester resin, UV-stabilized, anti-yellowing, upon phosphate treatment.

**Standard supply:** Nylon ratchet fastener.

**Equipment:** Possibility to rotate the LED tubes to direct light and then optimize the performance of optical accessories.

**Mounting:** Ceiling or wall.

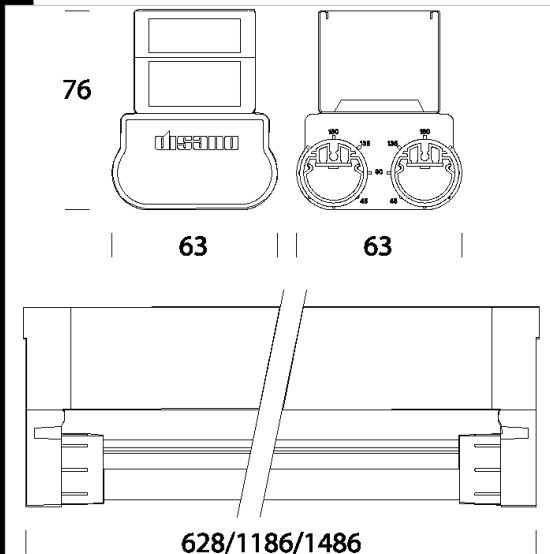
**Regulations:** Produced according to applicable EN60598-1 CEI 34-21 standards, IP40IK07 degree of protection according to EN 60529 standards. These products can be installed on normally inflammable surfaces.

Ta-10+40°C life 80.000h L80B20.

Power factor 0.9

Photobiological safety class: exempt group

On request 1-10V dimmer, dimmable from 10% to 100%



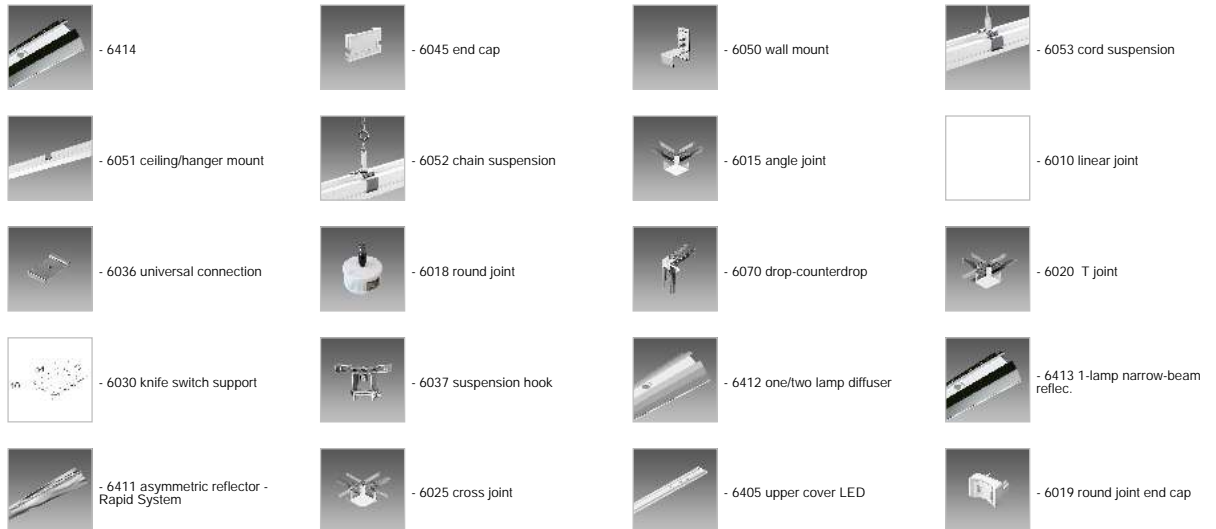
Download

DXF 2D  
- 6502.dxf

Montaggi  
- rapid\_system\_led.pdf

| Code      | Gear       | Kg   | Lumen Output-K-CRI      | WTot | Colour |
|-----------|------------|------|-------------------------|------|--------|
| 237541-00 | CLD CELL   | 0.96 | LED-3497lm-4000K-CRI 80 | 28 W | WHITE  |
| 237542-00 | CLD CELL   | 1.07 | LED-6994lm-4000K-CRI 80 | 54 W | WHITE  |
| 237543-00 | CLD CELL   | 1.02 | LED-8743lm-4000K-CRI 80 | 68 W | WHITE  |
| 237543-12 | CLD CELL-D | 1.54 | LED-8743lm-4000K-CRI 80 | 66 W | WHITE  |
| 237541-39 | CLD CELL   | 0.85 | LED-3121lm-3000K-CRI 80 | 29 W | WHITE  |
| 237542-39 | CLD CELL   | 1.14 | LED-6243lm-3000K-CRI 80 | 57 W | WHITE  |
| 237543-39 | CLD CELL   | 1.14 | LED-7804lm-3000K-CRI 80 | 71 W | WHITE  |
| 237542-07 | CLD CELL-E | 1.94 | LED-6994lm-4000K-CRI 80 | 57 W | WHITE  |
| 237543-07 | CLD CELL-E | 2.32 | LED-8743lm-4000K-CRI 80 | 71 W | WHITE  |

Accessories



The reported luminous flux is the flux emitted by the light source with a tolerance of ± 10% compared to the indicated value. The W tot column indicates the total wattage absorbed by the system without exceeding 10% of the indicated