

**6502 Rapid system - 2-lamps version LED**

Thanks to the expertise and attention to quality guaranteed by Disano, a world-wide leader in the industrial lighting sector, the Rapid System series is now available with LEDs: the product presents the same basic features that has made it such a success over the years, plus the advantages of the LED technology, such as quality output, energy saving and long life. Similar properties can be seen only in fixtures with a very high level of design and manufacturing. Ideal for the installation in stores to save running costs thanks to the LED technology and its versatile and easy-to-maintain properties. Rapid System uses latest generation LEDs and modules that are designed to allow the light beam to be directed according to needs in order to optimise light and performance when they are used in combination with optical accessories. A simple and innovative solution that will illuminate retailing spaces and stores with advanced lighting.

**Housing:** In rolled hot-dip galvanized steel, with rounded edges to protect hand and with end caps in polycarbonate.

**Diffuser:** micro-ribbed methacrylate

**Painting:** Steel stove pre-enamelling with white polyester resin, UV-stabilized, anti-yellowing, upon phosphate treatment.

**Standard supply:** Nylon ratchet fastener.

**Equipment:** Possibility to rotate the LED tubes to direct light and then optimize the performance of optical accessories.

**Mounting:** Ceiling or wall.

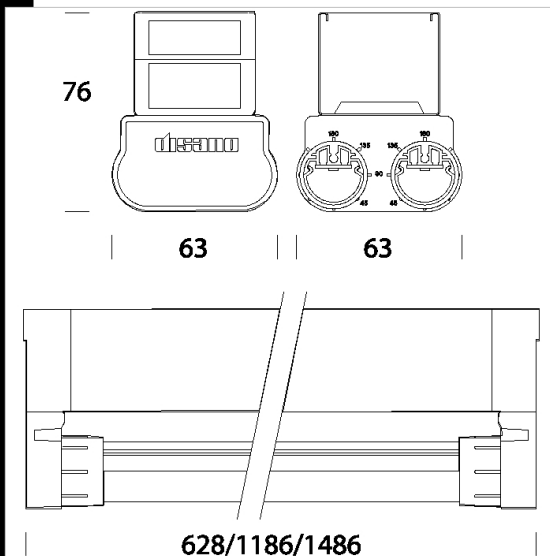
**Regulations:** Produced according to applicable EN60598-1 CEI 34-21 standards, IP40IK07 degree of protection according to EN 60529 standards. These products can be installed on normally inflammable surfaces.

**LED:** Latest generation LED technology 4000/8000/10000lm - 3000/4000K - CRI80 - 24/48/60W, Ta-10+40°C life 50.000h L80B20.

**Power factor** 0.9

**Photobiological safety class:** exempt group

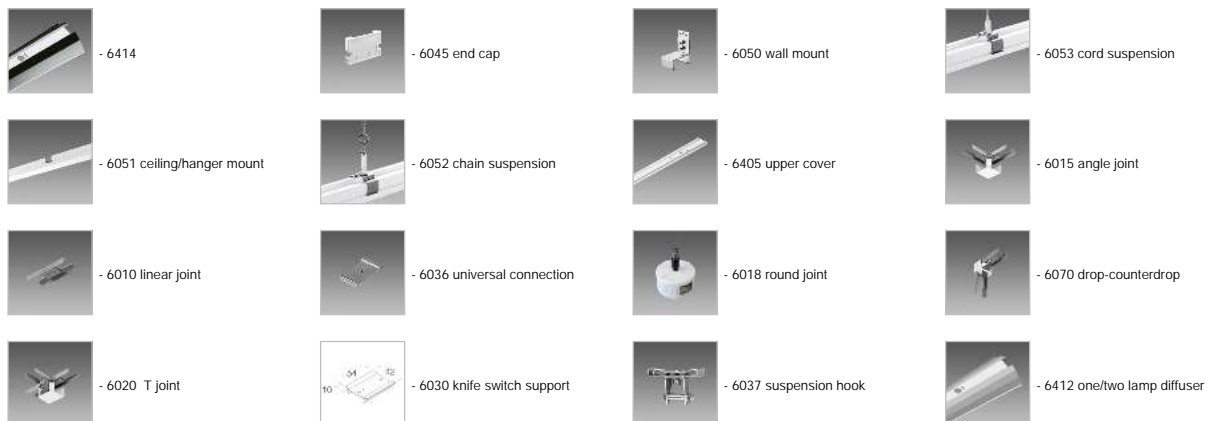
**On request** 1-10V dimmer, dimmable from 10% to 100%



**Download**  
DXF 2D  
- 6502.dxf  
Montaggi  
- rapid\_system\_led.pdf

Code	Gear	Kg	Watt	Base	Lamps	Colour
237541-00	CLD CELL	0,96	LED white 24W		4000lm-4000K-CRI 80	WHITE
237541-39	CLD CELL	0,85	LED white 24W	-	3890lm-3000K-CRI 80	WHITE
237543-39	CLD CELL	1,14	LED white 60W	-	9720lm-3000K-CRI 80	WHITE
237542-39	CLD CELL	1,14	LED white 48W	-	6480lm-3000K-CRI 80	WHITE
237542-00	CLD CELL	1,07	LED white 48W		8000lm-4000K-CRI 80	WHITE
237543-00	CLD CELL	1,02	LED white 60W		10000lm-4000K-CRI 80	WHITE
237542-07	CLD CELL-E	1,94	LED white 48W		8000lm-4000K-CRI 80	WHITE
237541-12	CLD CELL-D	0,86	LED white 24W		4000lm-4000K-CRI 80	WHITE
237543-07	CLD CELL-E	2,32	LED white 60W		10000lm-4000K-CRI 80	WHITE
237542-12	CLD CELL-D	1,34	LED white 48W		8000lm-4000K-CRI 80	WHITE

**Accessories**



6502 Rapid system - 2-lamps version LED

---

Accessories



- 6413 1-lamp narrow-beam  
reflec.



- 6411 asymmetric reflector -  
Rapid System



- 6025 cross joint



- 6019 round joint end cap