



### 6401 Rapid System - with knife switch

**Housing:** In rolled hot-dip galvanized steel, with rounded edges to protect hand and with end caps in polycarbonate.

**Painting:** Steel stove pre-enamelling with white polyester resin, UV-stabilized, anti-yellowing, upon phosphate treatment.

**Lampholder:** In white polycarbonate, with contacts in phosphor bronze, quick connection, with protective collars to prevent lamp from falling. Socket G13.

**Electric gear:** 230-240V/50Hz power supply. Hard wire, 0.50 sqmm cross section, and PVC-HT sheath, resistant up to 90°C, according to CEI 20-20 standards. 2P + T terminal block, with maximum allowed lead cross section of 2.5 sqmm.

**Standard supply:** Nylon ratchet fastener.

**Mounting:** On track, directly to ceiling or wall.

**Regulations:** Produced according to applicable EN60598-1 CEI 34-21 standards, IP40IK07 degree of protection according to EN 60529 standards and approved by the Italian Body for Quality Marking (IMQ).

These products can be installed on normally inflammable surfaces.

**Additional gear:** Electronic ballast. Emergency kit.

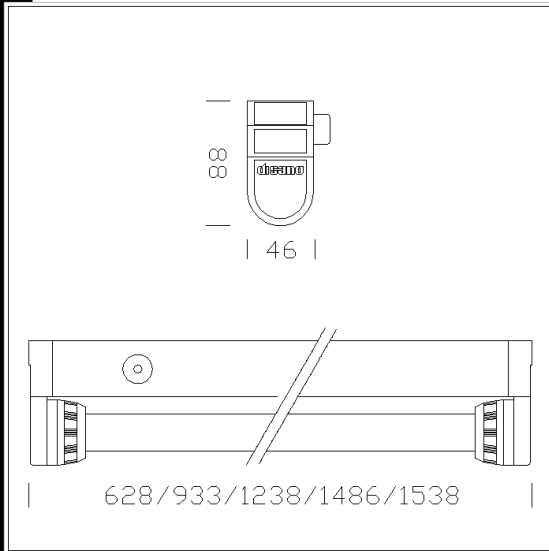
**Emergency light version:** If a black-out occurs, only one lamp connected to the emergency circuit will stay on, thus avoiding the inconvenience caused by a sudden absence of all light. It has a 60-minute emergency run time. When power is restored, the battery recharges automatically.



**Download**

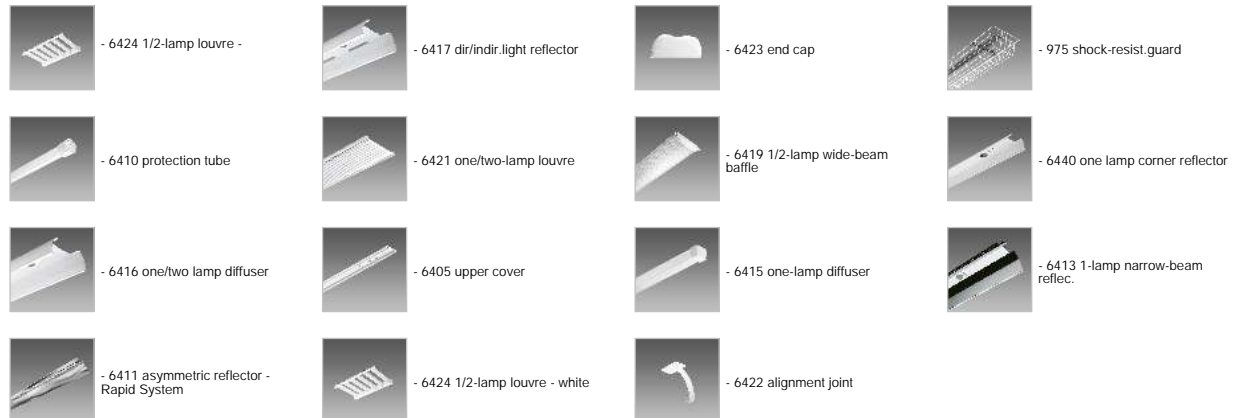
DXF 2D  
- d6401.dxf

Montaggi  
- 6401\_501\_rapidssystem\_in.pdf



Code	Gear	Kg	Lumen-K-CRI	WTot	Base	Colour
237531-00	CEL	1.00	FL 1x36-3350lm-4000K-Ra 1b	37 W	G13	WHITE
238040-08	CEL	1.02	FL 1x18-1350lm-4000K-Ra 1b	20 W	G13	WHITE
238041-08	CEL	1.23	FL 1x30-2350lm-4000K-Ra 1b	31 W	G13	WHITE
237532-00	CEL	1.14	FL 1x58-5200lm-4000K-Ra 1b	56 W	G13	WHITE

**Accessories**



The reported luminous flux is the flux emitted by the light source with a tolerance of ± 10% compared to the indicated value. The W tot column indicates the total wattage absorbed by the system without exceeding 10% of the indicated