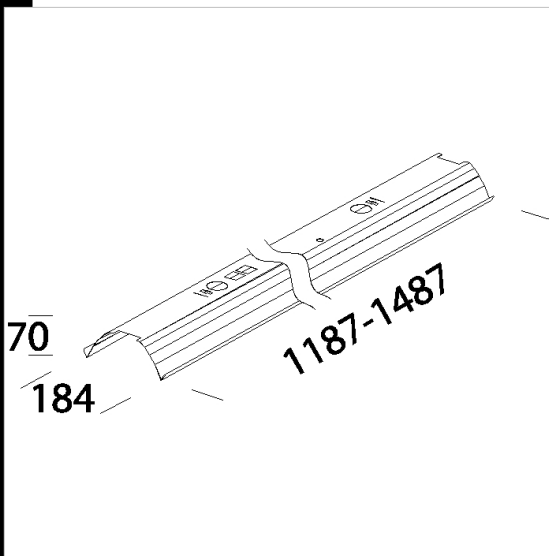


6330 Bi-asymmetric T5

Download

DXF 2D
- 6330.dxf



Code	Kg	Lumen-K-CRI	WTot	Colour
237471-00	0.48	FL 1/2x49---	0 W	ALUMINIUM
237470-00	0.43	FL 1/2x54---	0 W	ALUMINIUM

Products



- 6315 Elesystem T5



- 6305 Elesystem T5

The reported luminous flux is the flux emitted by the light source with a tolerance of $\pm 10\%$ compared to the indicated value. The W tot column indicates the total wattage absorbed by the system without exceeding 10% of the indicated