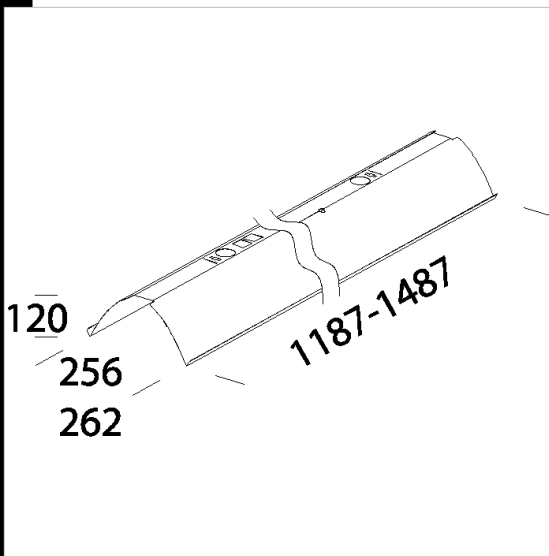


6328 narrow beam T5

Download

DXF 2D  
- 6328.dxf



| Code      | Kg   | Lumen-K-CRI | WTot | Base | Colour    |
|-----------|------|-------------|------|------|-----------|
| 237450-00 | 0.58 | FL 1x54---  | 0 W  | G5   | ALUMINIUM |
| 237451-00 | 0.70 | FL 1x49---  | 0 W  | G5   | ALUMINIUM |
| 237455-00 | 0.58 | FL 2x54---  | 0 W  | G5   | ALUMINIUM |
| 237456-00 | 0.70 | FL 2x54---  | 0 W  | G5   | ALUMINIUM |

Products



- 6315 Elesystem T5



- 6305 Elesystem T5

The reported luminous flux is the flux emitted by the light source with a tolerance of  $\pm 10\%$  compared to the indicated value. The W tot column indicates the total wattage absorbed by the system without exceeding 10% of the indicated