



6326 Elesystem T5

HOUSING: Extruded aluminium with die-cast end caps. Supplied with Elesystem track

OPTICAL SYSTEM: Longitudinal and transversal double parabolic dark-light louvres built from high-gloss, anti-glare, anti-iridescence, very low luminance aluminium.

COATING: Spray coated with a UV-stabilised acrylic water-based paint

LAMPHOLDER: Polycarbonate with phosphorous bronze contacts.

ELECTRIC GEAR:

230/50Hz power supply (CNR) 230-240V/-50/60Hz power supply (CELL).

Hard wire, cross-section 0.50 sqmm and high-temperature resistant (up to 90°C) PVC-HT sheath, in accordance with CEI 20-20 standards.

STANDARD FEATURES: Optics with snap fastening, which remain hooked on, hanging by nylon cords.

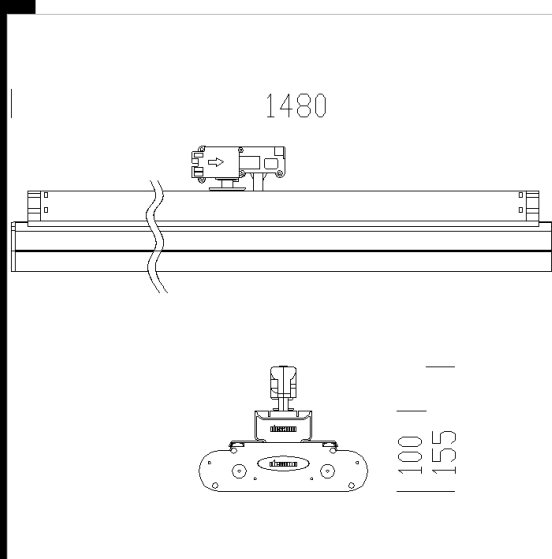
REGULATIONS: Manufactured in accordance with EN 60598-CEI 34-21 standards. Degree of protection in accordance with EN 60529 standards. Compliant with the EN12464 standard.

Recent international standards introduce new developments concerning low luminance. European standard EN 12464 for the lighting of indoor workplaces, prescribes luminance limits for angles comprised between 65° and 85° in rooms where computer monitors are to be used.

Ideal for installation in shopping areas, to light checkout points.

Download

DXF 2D
- 6326_giano-elesystem.dxf



Code	Gear	Kg	Lumen-K-CRI	WTot	Base	Colour
237443-12	CELLF-D	7,21	FL 2x49-4350lm-4000K-Ra 1b	110 W	G5	WHITE
237442-12	CELLF-D	5,70	FL 1x49-4350lm-4000K-Ra 1b	54 W	G5	WHITE
237443-00	CELL-F	7,70	FL 2x49-4350lm-4000K-Ra 1b	110 W	G5	WHITE
237442-00	CELL-F	6,70	FL 1x49-4350lm-4000K-Ra 1b	54 W	G5	WHITE

The reported luminous flux is the flux emitted by the light source with a tolerance of $\pm 10\%$ compared to the indicated value. The W tot column indicates the total wattage absorbed by the system without exceeding 10% of the indicated