



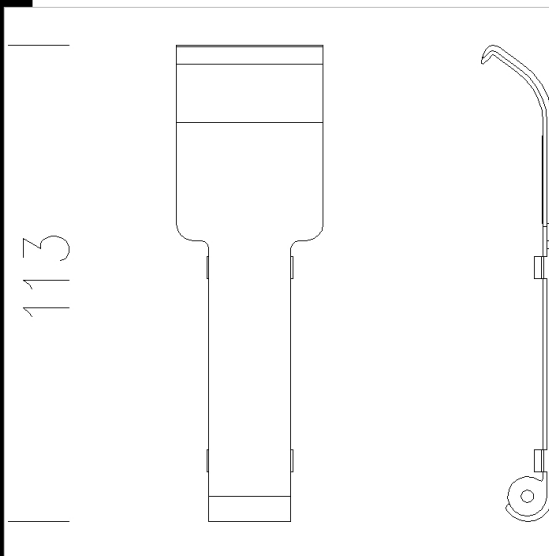
Download

DXF 2D
- 6320.dxf



6320 Cover for coupling optical diffusing

In thermoplastic material. To be used to join wide-beam optic units when mounted in continuous lines.



Code	Kg	WTot	Colour
237430-00	0.01	0 W	WHITE

Products



- 6301 Elesystem T8



- 6311 Elesystem T8



- 6315 Elesystem T5



- 6305 Elesystem T5

The reported luminous flux is the flux emitted by the light source with a tolerance of $\pm 10\%$ compared to the indicated value. The W tot column indicates the total wattage absorbed by the system without exceeding 10% of the indicated