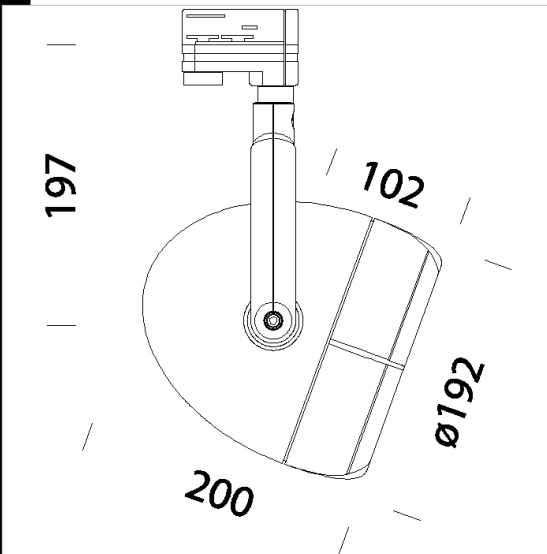


## Leo 5 - Base

Housing: Die cast aluminium with openable frame designed with bayonet coupling to allow easy lamp maintenance.  
 Reflector: Mirror-finish, faceted aluminium for the CDM-TC versions.  
 Painting: Acrylic resin based UV resistant powder paint.  
 Lampholder: Ceramic and with silver-plated contacts.  
 Wiring: 230 V/50 Hz power supply with electronic ballast or 12 V transformer.  
 Silicon insulated wire with glass fibre braid, cross-section 1.0 mm<sup>2</sup>.  
 Equipment: supplied complete with adjustable bracket (on vertical axis with 355° rotation) in die cast aluminium providing internal passage for wires.  
 Standards: Products comply with EN 60598-1-CEI 34.21 standards, with level of protection in accordance with EN 60529 standards.



Code	Gear	Kg	Lumen-K-CRI	WTot	Base	Colour
22810411-00	CELL	2.00	CDM-R111 35-1350lm-3000K-Ra 1b	47 W	Gx8.5	WHITE
22810472-00	CELL	2.00	CDM-R111 70-2850lm-3000K-Ra 1b	83 W	Gx8.5	SILVER
22810412-00	CELL	2.00	CDM-R111 70-2850lm-3000K-Ra 1b	83 W	Gx8.5	WHITE
22810471-00	CELL	2.00	CDM-R111 35-1350lm-3000K-Ra 1b	47 W	Gx8.5	SILVER



Download

DXF 2D  
- leobin.dxf

The reported luminous flux is the flux emitted by the light source with a tolerance of ± 10% compared to the indicated value. The W tot column indicates the total wattage absorbed by the system without exceeding 10% of the indicated